



**SPIERINGS
KRANEN**

Make: SPIERINGS

Type: SK377-AT3

Crane specification



Crane group : 3 as per NEN 2018
 Loadspectrum : 2 as per NEN 2018
 Classification : A as per NEN 2018
 Stability : as per NEN 2022

Max. load
7,5 tonne

Max. radius
with max. load
10,4 m

Max. capacity
78 tm

Max. jib length
33 m

Speeds

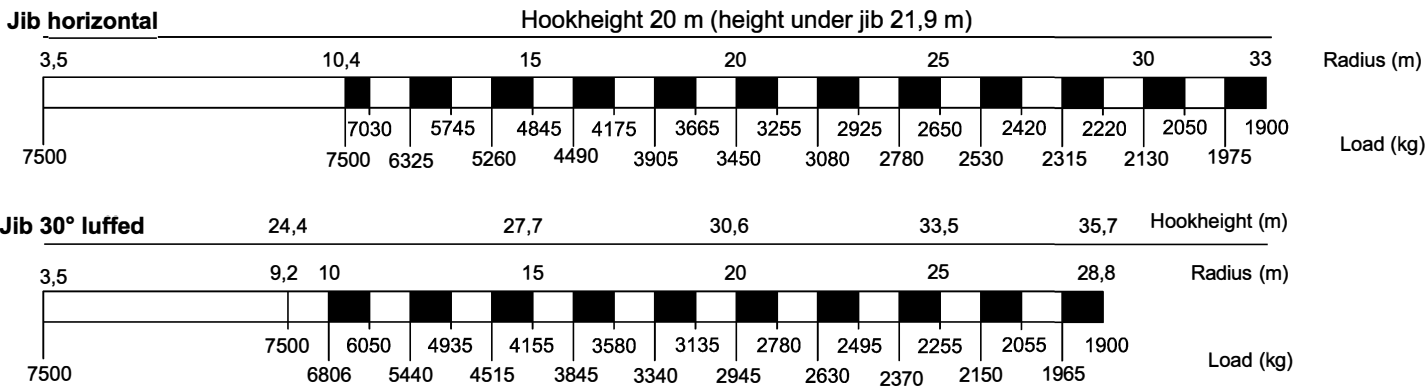
Jib horizontal/ jib 30° luffed

	m/min	kg
	18	7500
	27	3750
	36	1875
60	0	

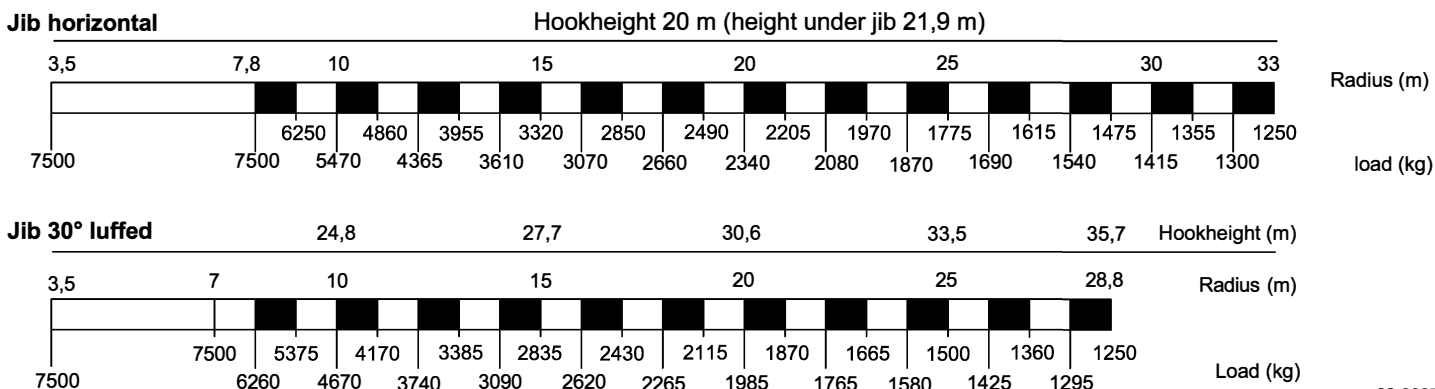
	0 - 70 m/min
--	--------------

	0 -1 rpm
--	----------

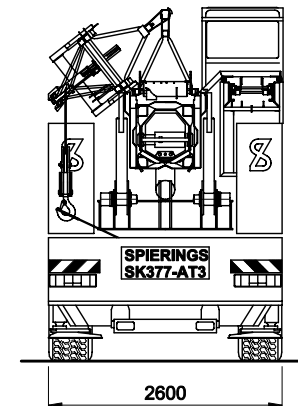
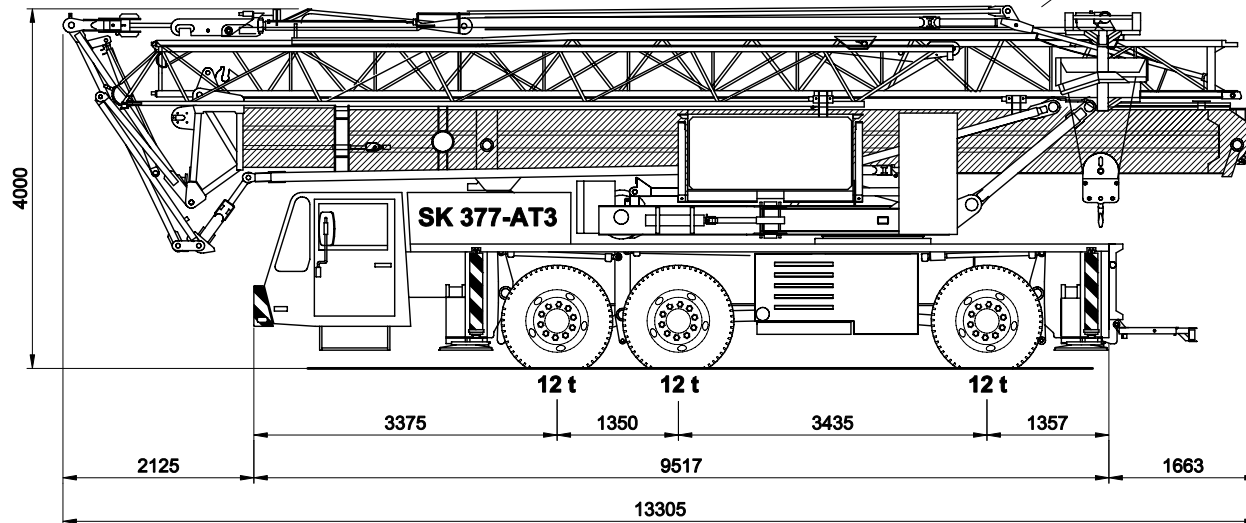
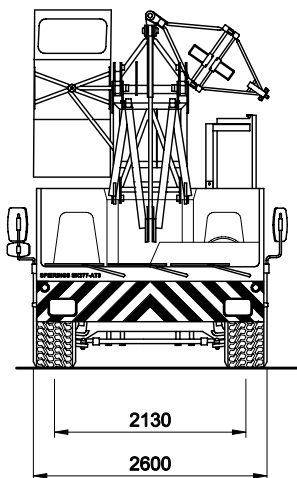
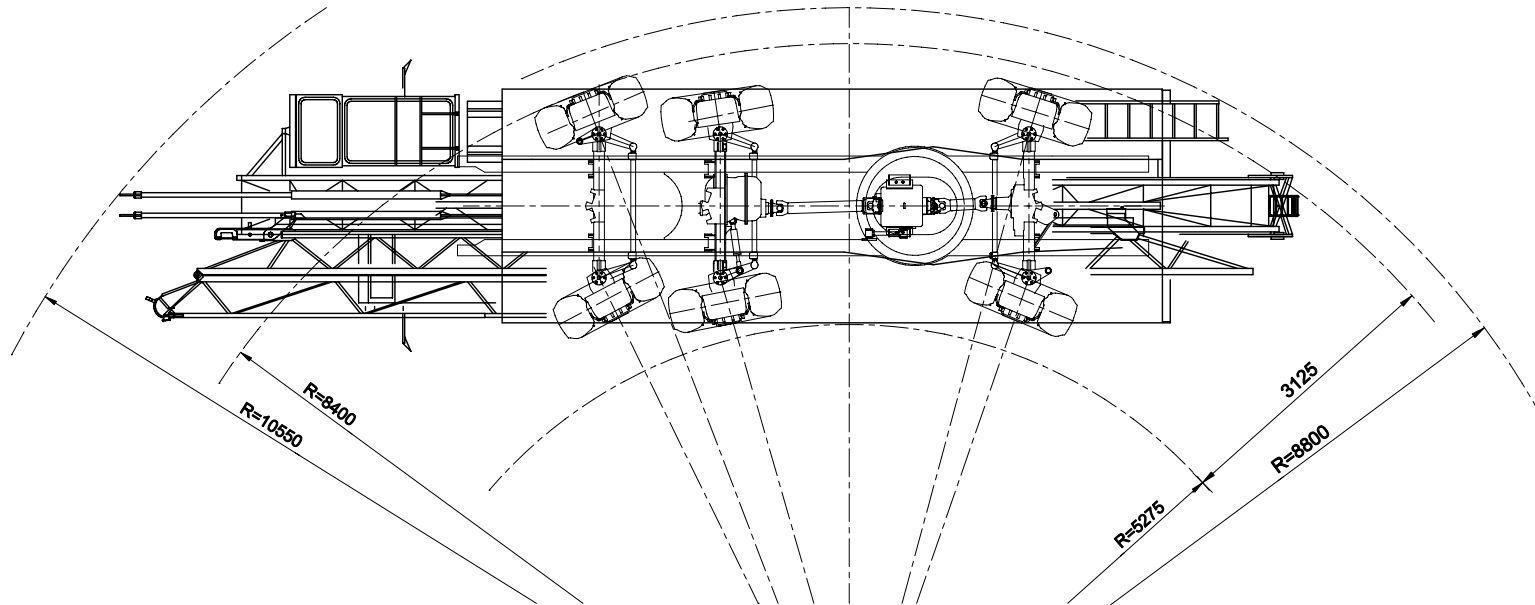
LIFTING CHART Outrigger support base 6,90 m x 6,40 m



LIFTING CHART Outrigger support base 6,90 m x 4,80 m



All motions with hydraulic proportional controls
 Luffing the jib 30° can be controlled from crane cab or via remote control
 Crane can be driven in its erected position under special conditions (refer user guide).
 Rated lifting capacity is net capacity
 Crane equipped with full counterweight: 5700kg
 Continues slewing (360°) with outriggers out and support pads down.
 2 Outriggers support bases: according to lifting chart
 Operation allowed up to wind force 8 Bf (17 m/sec).
 Sail area of the load max. 1,2 m² / tonne at a windforce of 7 on the Beaufortscale.
 Operating temperature range from -15° to 40° C.
 Max. line pull force 3750 kg; in all cases 2 parts of line
 The crane should be folded in at a windforce of 9 Bf (21m/sec) or when not in use for a longer period
 Changes subject to modifications



Total weight 36000 kg

SPIERINGS HYDRAULIC FOLDING CRANE SK377-AT3

SPIERINGS
MOBILE CRANES

Merwedestraat 15
5347 KZ Oss NL
Tel. +31 (0)412-626964
Fax +31 (0)412-645299
www.spieringscranes.com

62-00377102

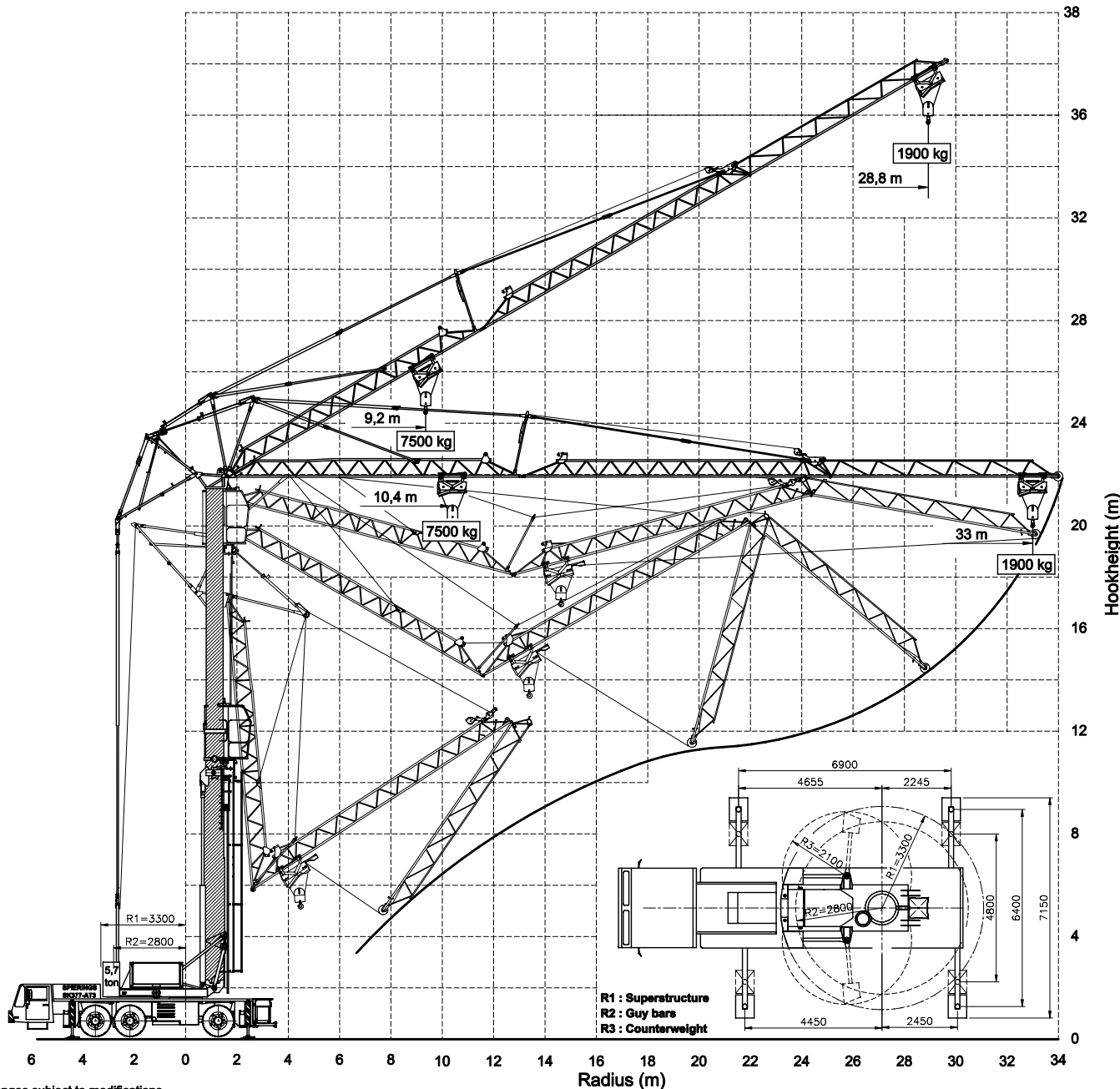
SPIERINGS

HYDRAULIC FOLDING CRANE

SK 377 - AT3

Erection procedure of the crane

Max. outrigger force : 300 kN
 Outrigger support pads : 750x600 mm
 Ground pressure : 0,67 N/mm²
 Jib can be unfolded through 360°
 Luffing the jib 30° can be controlled from
 the crane cab or remote control



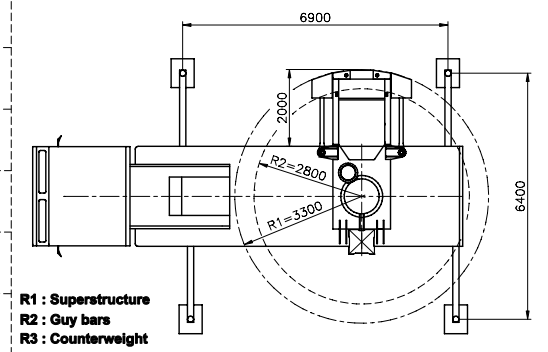
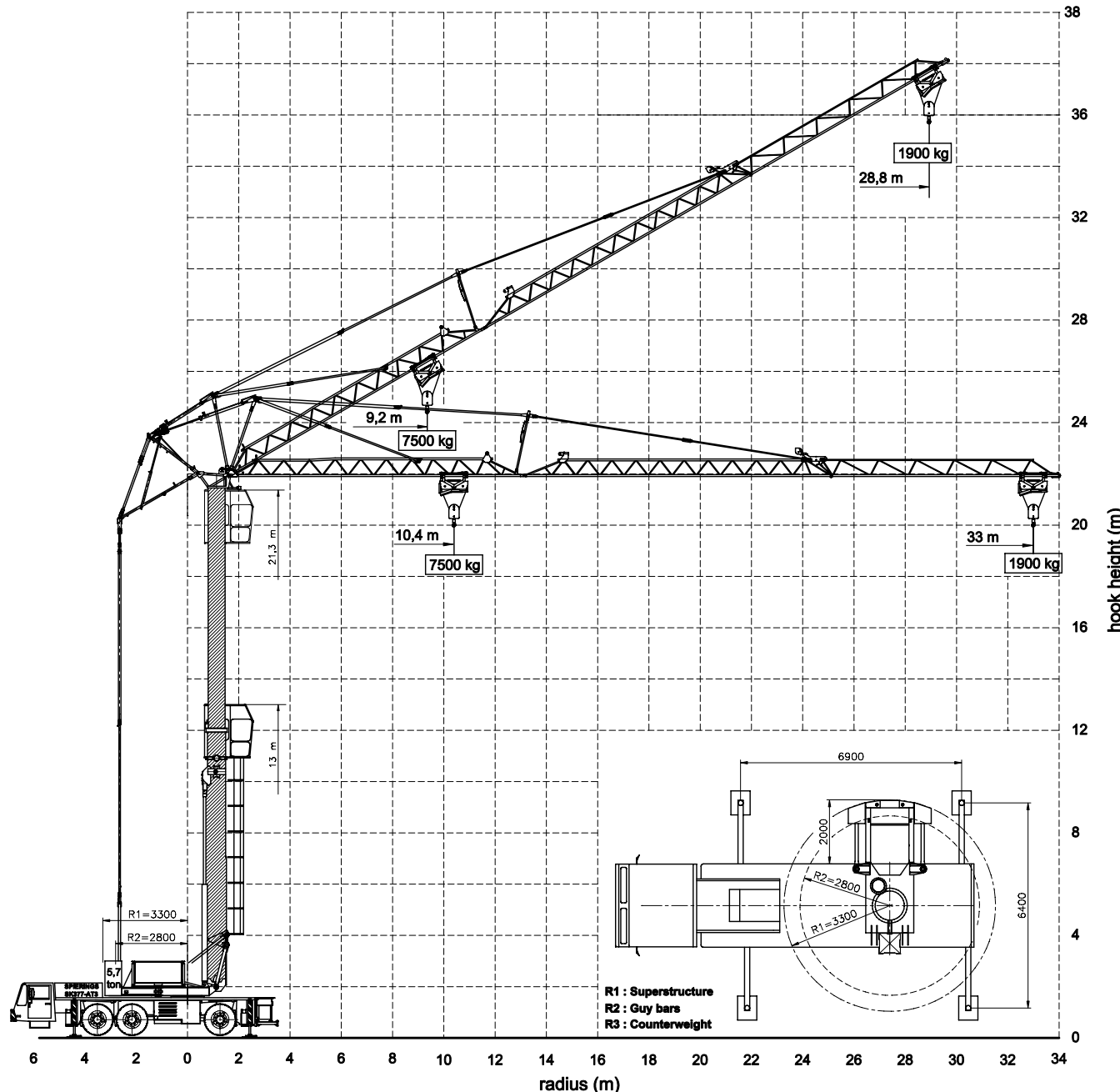
Merwedestraat 15
 5347 KZ Oss NL
 Tel. +31 (0)412-626964
 Fax +31 (0)412-645299
www.spieringscranes.com

SPIERINGS

HYDRAULIC FOLDING CRANE

SK 377 - AT3

Hoisting Specifications
 Outrigger square: 6,90 m x 6,40 m



R1 : Superstructure
 R2 : Guy bars
 R3 : Counterweight

SPIERINGS
 MOBILE CRANES

Merwedestraat 15
 5347 KZ Oss NL
 Tel. +31 (0)412-626964
 Fax +31 (0)412-645299
 www.spieringscranes.com

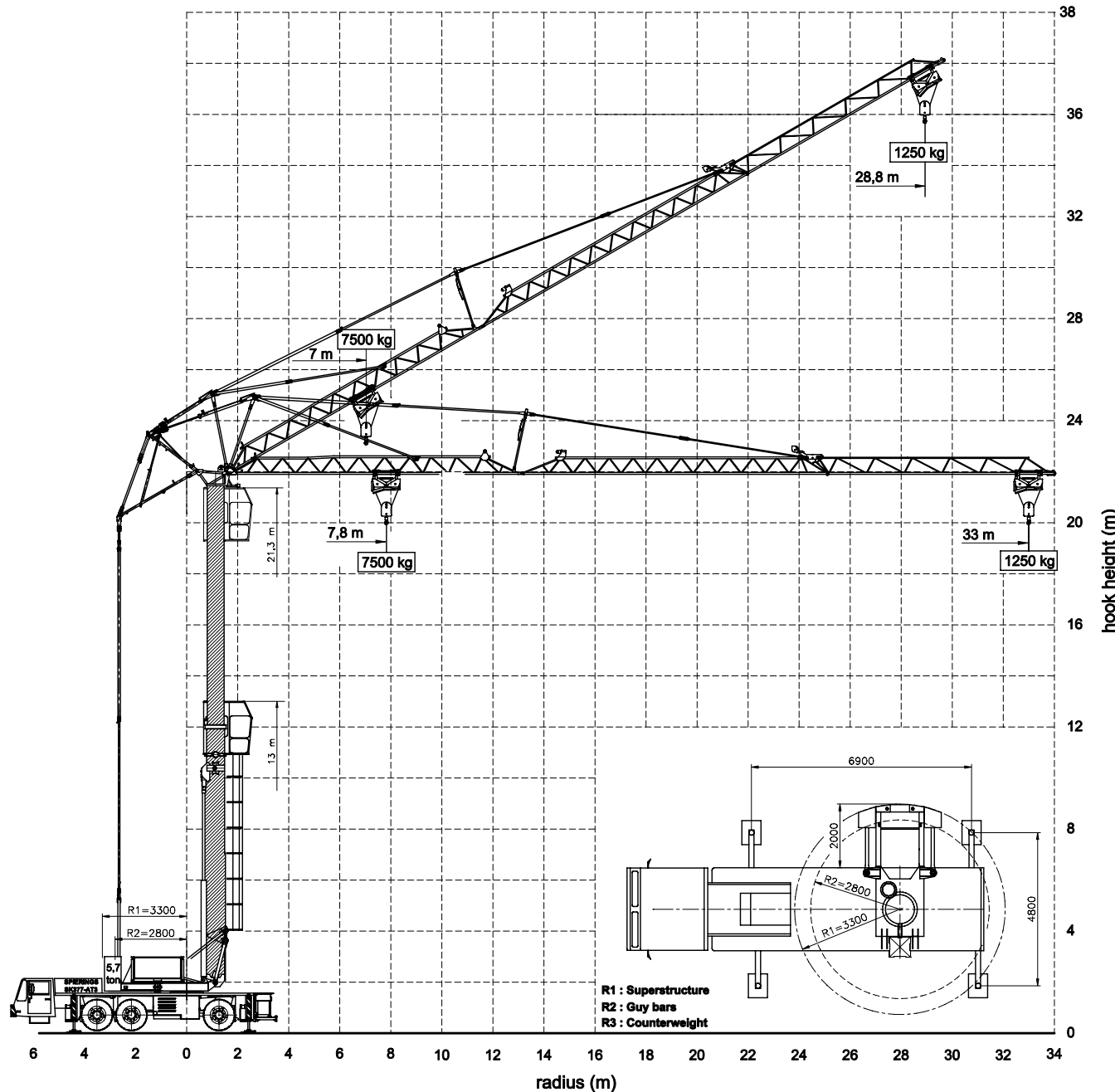
62-00377104

SPIERINGS

HYDRAULIC FOLDING CRANE

SK 377 - AT3

Hoisting Specifications
Outrigger square: 6,90 m x 4,80 m

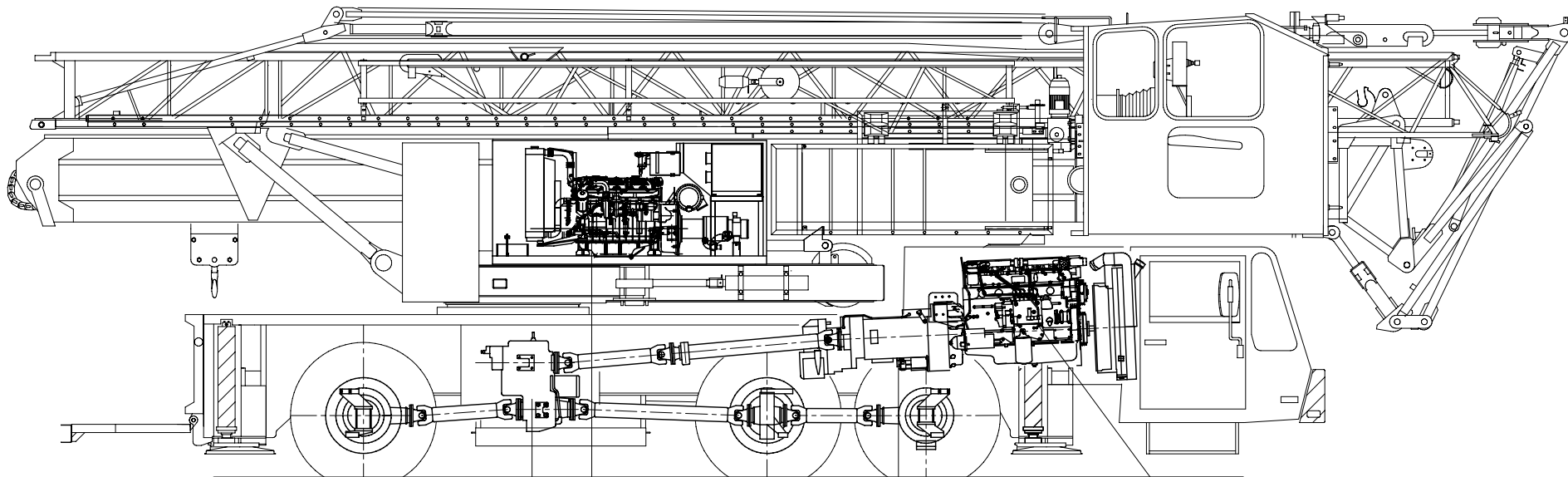


R1 : Superstructure
 R2 : Guy bars
 R3 : Counterweight

SPIERINGS
MOBILE CRANES

Merwedestraat 15
 5347 KZ Oss NL
 Tel. +31 (0)412-626964
 Fax +31 (0)412-645299
 www.spieringcranes.com

62-00377105



Axle 3

Transferbox:
STEYR VG1600/396
 Road gear: $i=0,89$
 Off road gear: $i=1,54$

Axle 2

Crane diesel engine
John Deere 4045HF475
 Power: 129 kW (2200 tpm)
 Torque: 700 Nm (1400 tpm)

Axle 1

Gearbox:
ZF 16S151
 Manually operated with
 air power assistance
 + dry plate clutch

Carrier diesel engine:

Euro IV
DAF: PR 265 (9,2 ltr)
 Power: 265 kW (2200 tpm)
 Torque: 1450 Nm (1700 tpm)

Axle 1 : steer drive axle (i=7,29)

Axle 2 : axle, (not steering, not driven)

Axle 3 : steer drive axle (i=7,29)

Suspension: hydro-pneumatic on all axles; stroke cyl. : 247 mm

Tyres

Max. speed carrier

Min. speed carrier (engine at 1000 rpm)

Overall weight

: 445/75 R22,5

85 km/h

1,8 km/h

36000 kg

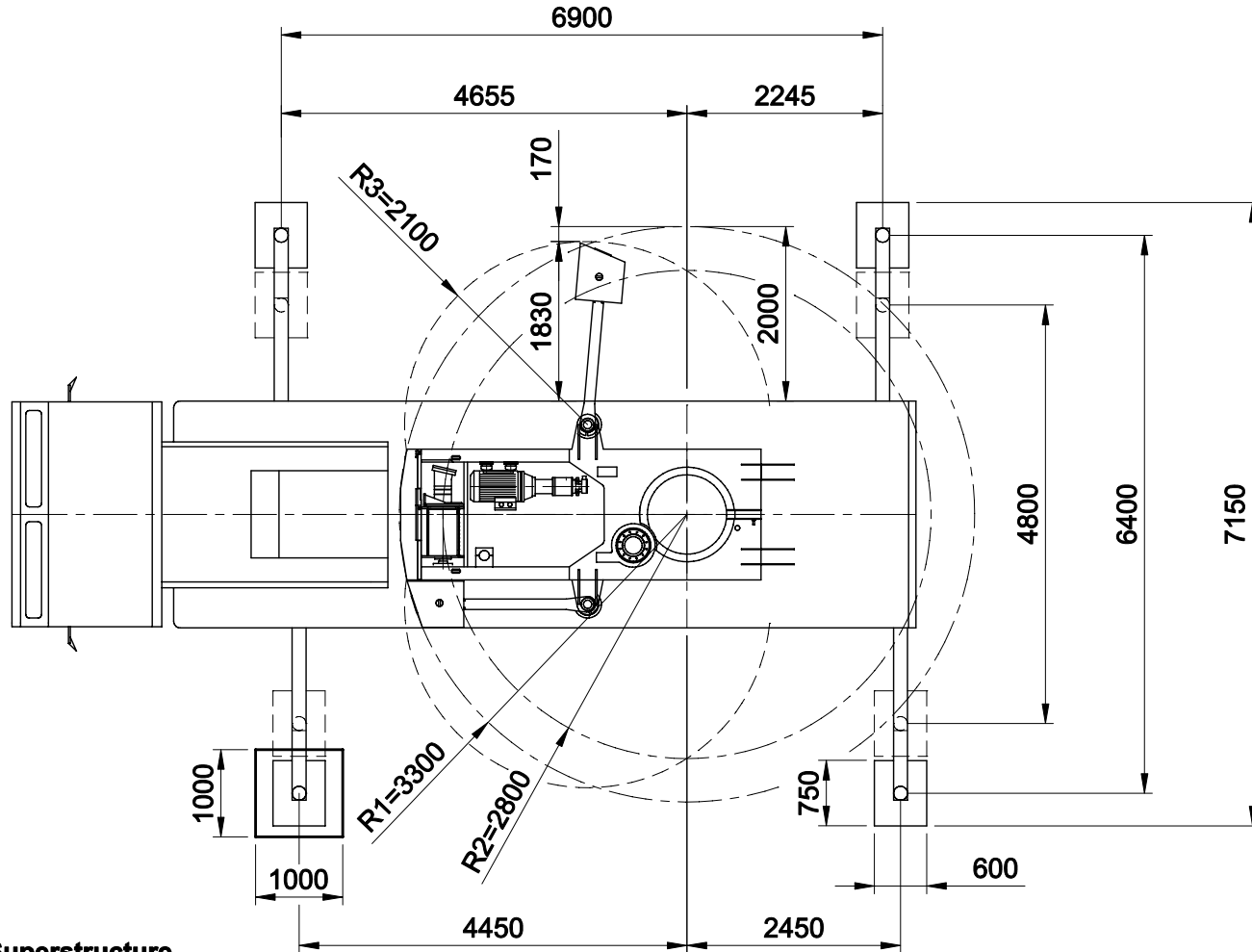
SPIERINGS
MOBILE CRANES

Merwedestraat 15
 5347 KZ Oss NL
 Tel. +31 (0)412-626964
 Fax +31 (0)412-645299
 www.splieringscranes.com

Drive train Spierings Folding Crane SK377-AT3

SPIERINGS

HYDRAULIC FOLDING CRANE SK 377-AT3



R1 : Superstructure
R2 : Guy bars
R3 : Counterweight

Outrigger support base	
Max. outrigger force	300 kN
Outrigger support pads	750x600 mm
Ground pressure	0,67 N/mm²
Outrigger support plates	1000x1000 mm
Surface	1,00 m²
Ground pressure	0,30 N/mm²

SPIERINGS
MOBILE CRANES

Merwedestraat 15
 5347 KZ Oss NL
 Tel. +31 (0)412-626964
 Fax +31 (0)412-645299
www.spieringscranes.com

62-00377107