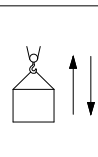
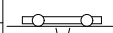
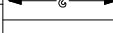


Crane specification (Jib length 60 m)



Crane group : A3 as per FEM 1.001	Max. load	Max. radius with max. load	Max. capacity	Max. jib length
Loadspectrum : Q1 as per FEM 1.001	10,0 tonne	13,2 m	132 tm	60 m
Classification : U4 as per FEM 1.001				
Stability : as per FEM 1.001				

Speeds Jib horizontal / jib 30° luffed

	m/min	kg		0 - 70 m/min
	15	10000		
	30	5000		0-0,7 r/min
	45	2500		
75	0			

All motions with hydraulic proportional controls
Luffing the jib 30° can be controlled from crane cab or via remote control
The crane should be folded in at a wind force > 8 on the Beaufort scale (wind speed 20 m/min)

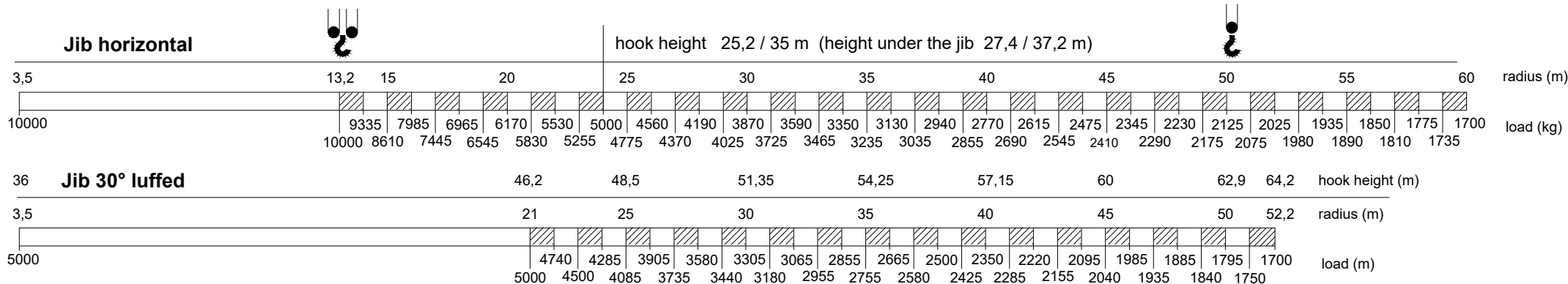
Crane equipped with full counterweight: 13600 kg
360° continuous slewing : with outriggers out and down
Operating temperature : range from -15° to 40° C.

Rated lifting capacity is net capacity
Max. line pull force : 2500 kg
2 parts of line : 5000 kg - 1700 kg
4 parts of line : 10000 kg - 5000 kg
Sail area of the load : max. 1,0 m² / tonne
Max. outrigger loading: 520 kN

Outrigger position : 7,95 x 7,66 m
Operation allowed up to a wind force of 7 on the Beaufort scale (wind speed 14m/sec)
Outrigger position : 7,95 x 5,72 m
Operation allowed up to a wind force of 7 on the beaufort scale (wind speed 14 m/sec)

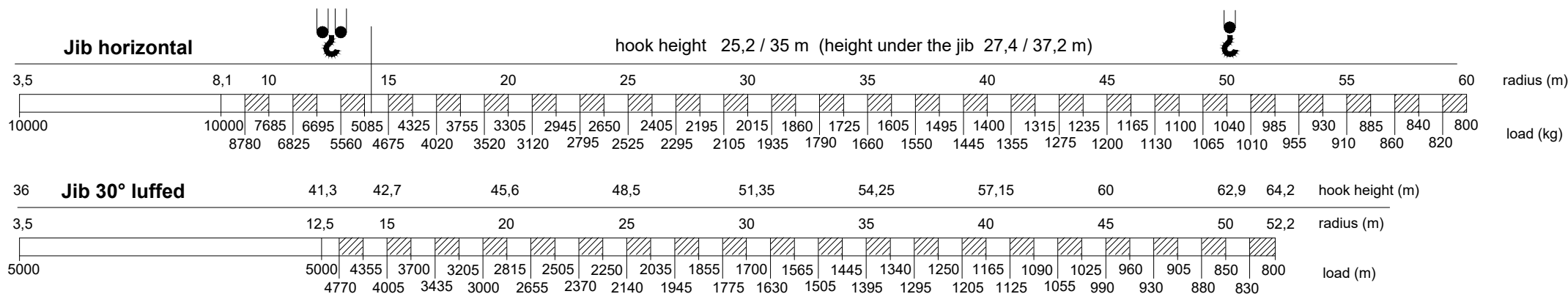
Lifting chart

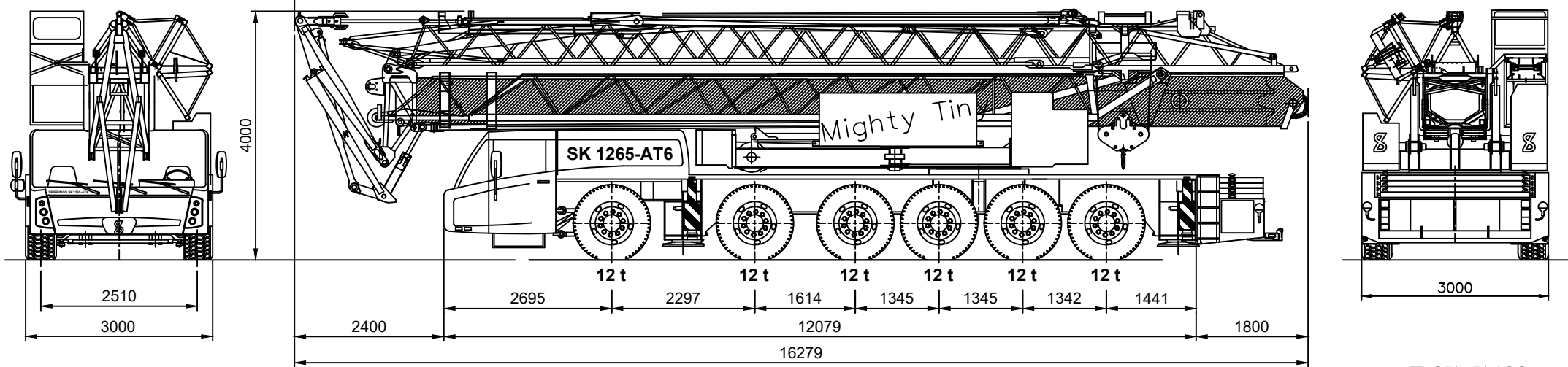
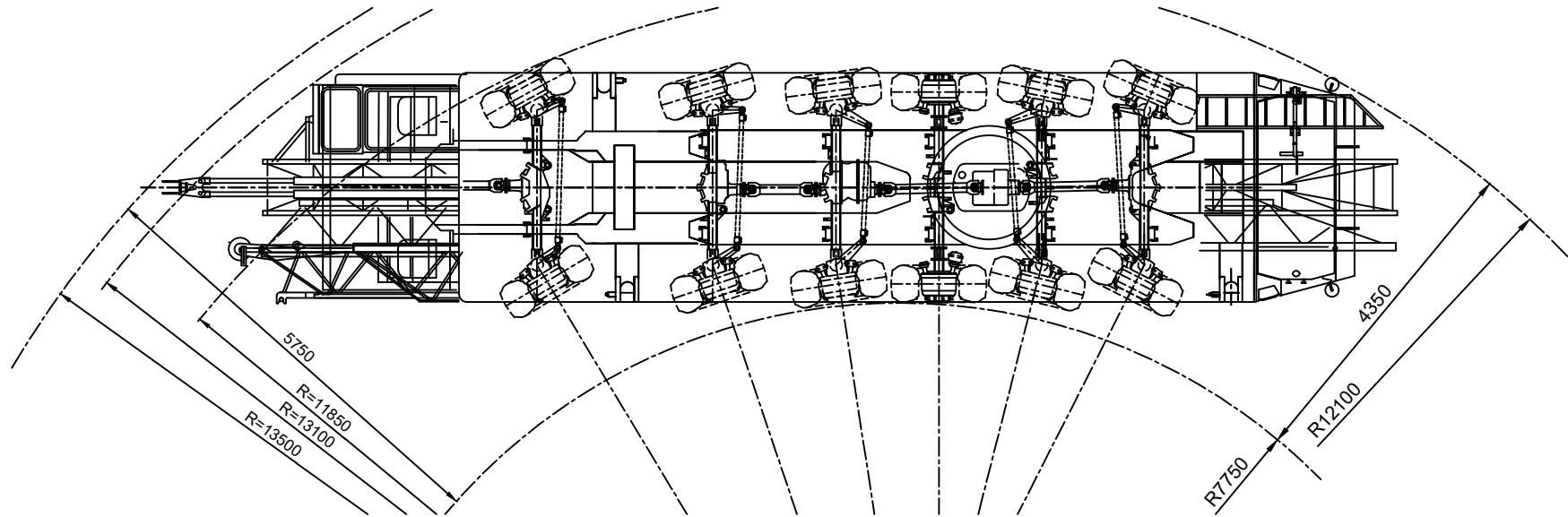
Outrigger spread : 7,95 m x 7,66 m



Lifting chart

Outrigger spread : 7,95 m x 5,72 m





SPIERINGS HYDRAULIC FOLDING CRANE SK 1265 - AT6

SPIERINGS
MOBILE CRANES

Merwedestraat 15
5347 KZ Oss NL
Tel. +31 (0)412-626964
www.spieringscranes.com

121-00126102A

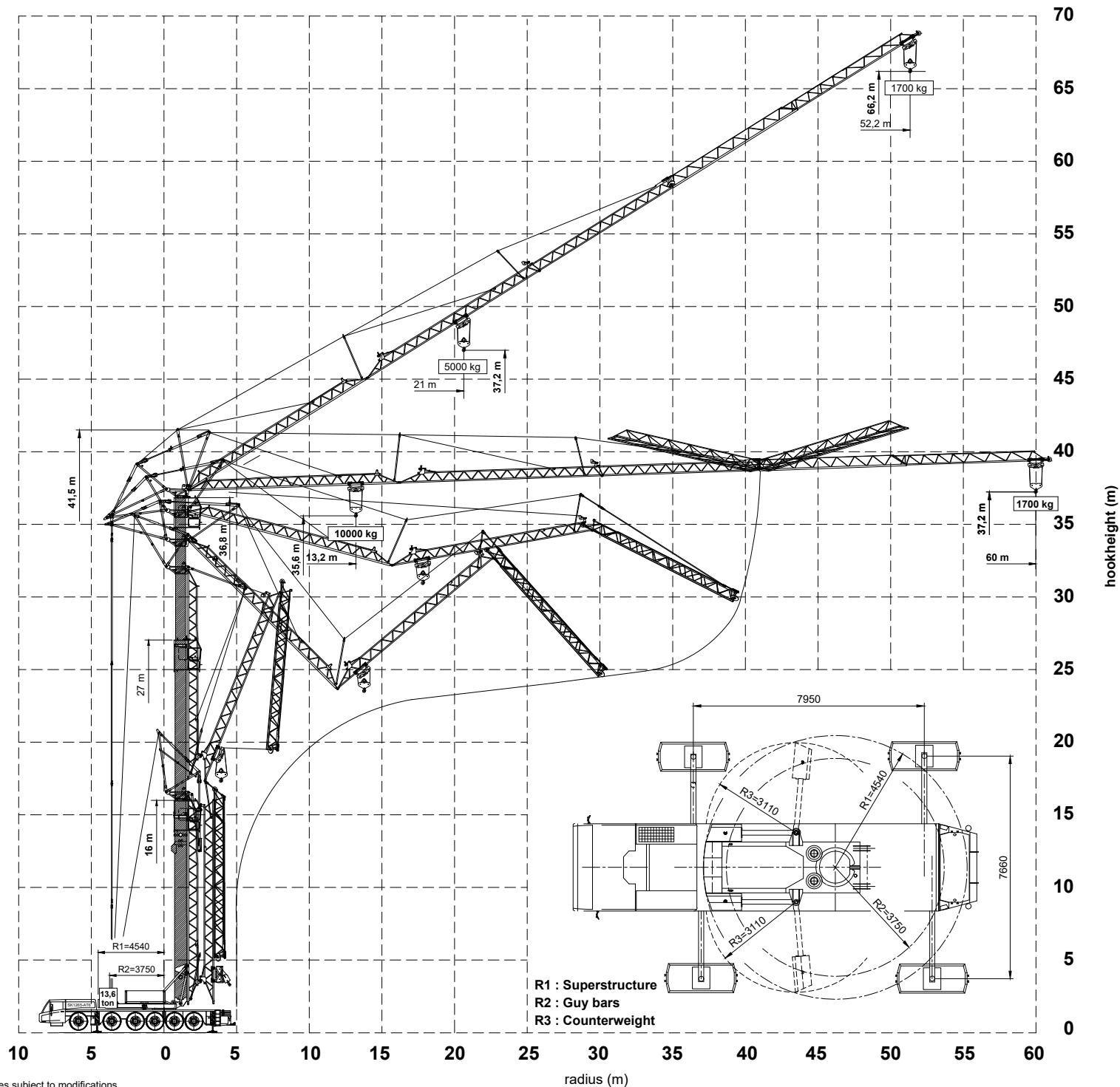
Total weight: 72000 kg
Specifications subject to modifications

SPIERINGS HYDRAULIC FOLDING CRANE SK1265-AT6

Erection procedure of the crane Jib radius 60 m

Max. outrigger force : 520 kN
 Outrigger support pads : 750x600 mm
 Ground pressure : 1,15N/mm²
 Jib can be unfolded through 360°
 Luffing the jib 30° can be controlled from
 the crane cab or remote control

Outrigger support plates : 2500x1000 mm
 surface : 2,35 m²
 Ground pressure : 0,22 N/mm²



R1 : Superstructure
 R2 : Guy bars
 R3 : Counterweight



Merwedestraat 15
 5347 KZ Oss NL
 Tel. +31 (0)412-626964
www.spieringscranes.com

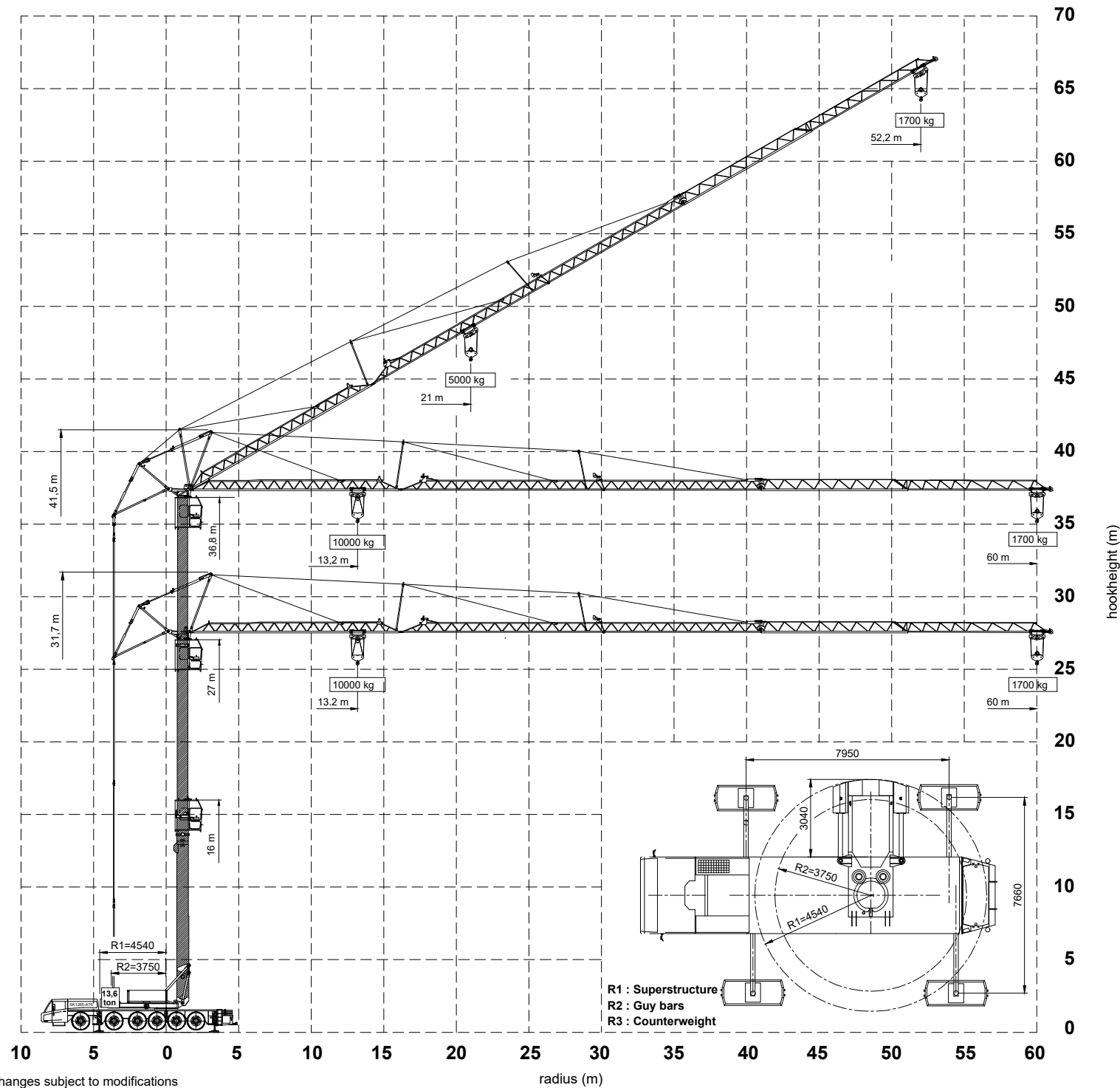
SPIERINGS HYDRAULIC FOLDING CRANE SK1265-AT6

Hoisting Specifications

Jib radius 60 m

Outrigger support base

7,95 m x 7,66 m



Changes subject to modifications

SPIERINGS
MOBILE CRANES

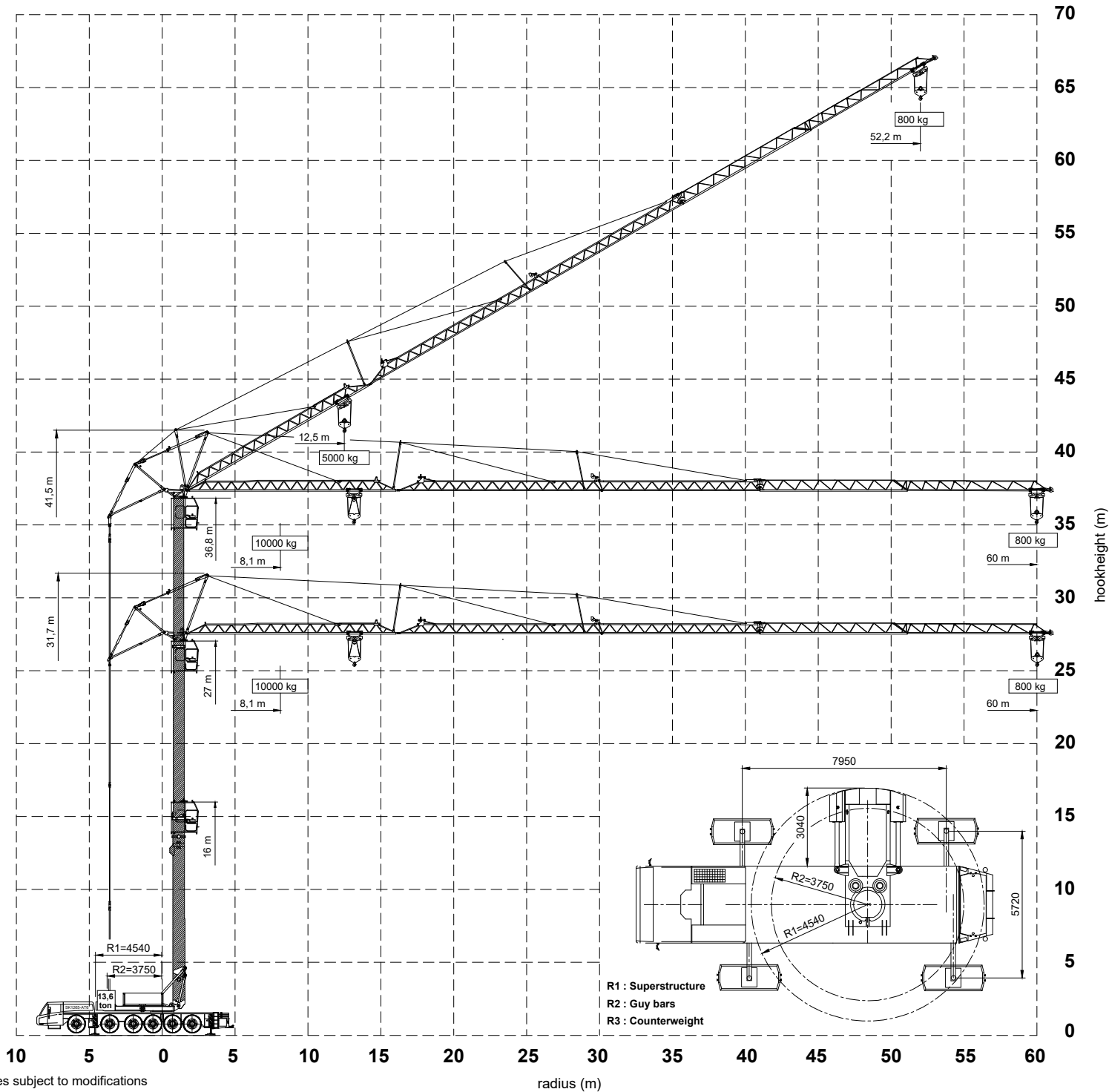
Merwedestraat 15
5347 KZ Oss NL
Tel. +31 (0)412-626964
Fax +31 (0)412-645299
www.spieringscranes.com

121-00126104

SPIERINGS HYDRAULIC FOLDING CRANE SK1265-AT6

Hoisting Specifications
Jib radius 60 m

Outrigger support base
7,95 m x 5,72 m

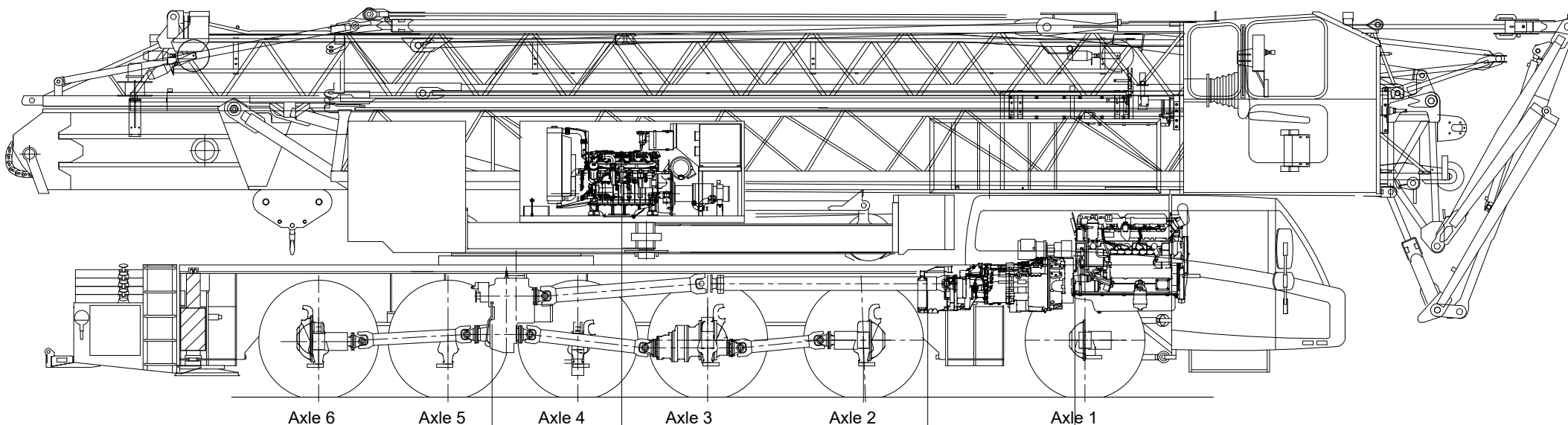


Changes subject to modifications

SPIERINGS
MOBILE CRANES

Merwedestraat 15
5347 KZ Oss NL
Tel. +31 (0)412-626964
Fax +31 (0)412-645299
www.spieringscranes.com

121-00126105



Transfer box:
ZF VG2001/396
Road gear $i=0,89$
Off-road gear $i=1,54$

Crane diesel engine:
Caterpillar: C3.6 Stage V
Power: 100 kW (2000 rpm)
Torque: 550 Nm (1500 rpm)

Gearbox:
ZF Traxon 16TX-3441 SO
Automatic + interarder
dry plate clutch

Carrier diesel engine:
DAF: MX13-390 H3 Euro VI (12,9 ltr)
Power: 390 kW (1675 rpm)
Torque: 2600 Nm (1000-1400 rpm)

Axle 1 : Steer axle
Axle 2 : Steer drive axle (end reduction $i=6,35$)
Axle 3 : Steer drive axle (end reduction $i=6,35$)
Axle 4 : Axle , non steered and non powered
Axle 5 : Steer axle
Axle 6 : Steer drive axle (end reduction $i=6,35$)

Tyres : 445/65 R22,5 or 445/75 R22,5
Suspension: hydro-pneumatic on all axles; stroke cyl. : 247 mm
Max. speed carrier : 80 or 83 km/h
Min. speed carrier (engine at 1000 rpm) : 1,4 km/h
Overall weight : 72.000 kg.

Drive train Spierings Folding Crane SK 1265-AT6

SPIERINGS
MOBILE CRANES

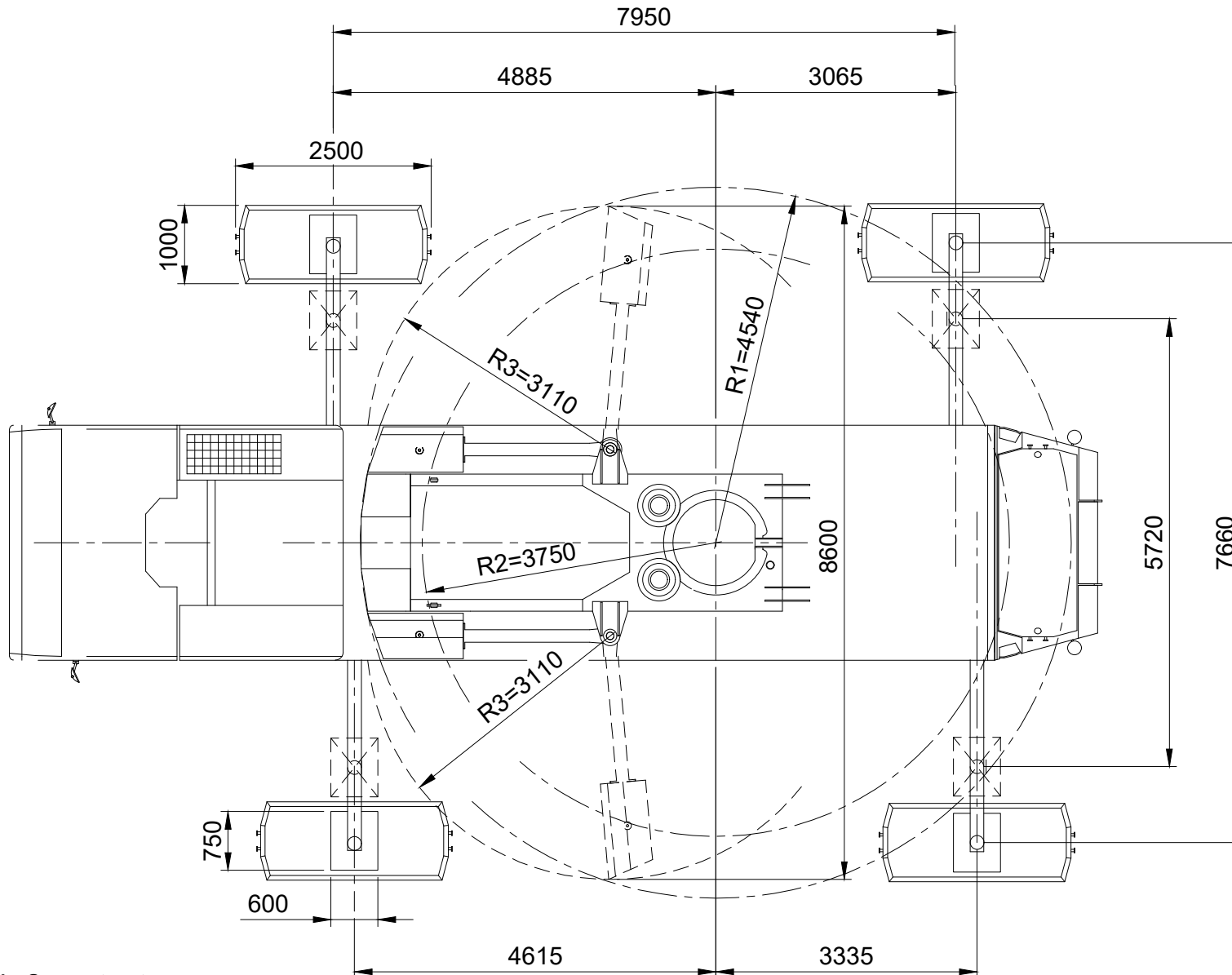
Merwedestraat 15
5347 KZ Oss NL
Tel. +31 (0)412-626964
www.spieringscranes.com

121-00126106D

SPIERINGS

HYDRAULIC FOLDING CRANE

SK 1265 - AT6



R1 : Superstructure
R2 : Guy bars
R3 : Counterweight

Outrigger support base	
Max. outrigger force	520 kN
Outrigger support pads	750x600 mm
Ground pressure	1,15 N/mm ²
Outrigger support plates	2500x1000 mm
Surface	2,35 m ²
Ground pressure	0,22 N/mm ²



Merwedestraat 15
 5347 KZ Oss NL
 Tel. +31 (0)412-626964
 Fax +31 (0)412-645299
www.spieringscranes.com



**SPIERINGS
CRANES**

Make: SPIERINGS Type: SK1265-AT6

Crane specification (Jib length 52 m)

Serial number

Year of construction

Crane group : A3 as per FEM 1.001
 Loadspectrum : Q1 as per FEM 1.001
 Classification : U4 as per FEM 1.001
 Stability : as per FEM 1.001

Max. load
10,0 tonne

Max.radius
with max. load
13,57 m

Max. capacity
135 tm

Max. jib length
52 m

Speeds Jib horizontal / jib 30° luffed

	m/min	kg		0 - 70 m/min
	15	10000		
	30	5000		0-0,7 r/min
	45	2500		
75	0			

All motions with hydraulic proportinal controls
 Luffing the jib 30° can be controlled from
 crane cab or via remote control
 The crane should be folded in at a wind force
 > 8 on the Beaufort scale (wind speed 20 m/min)

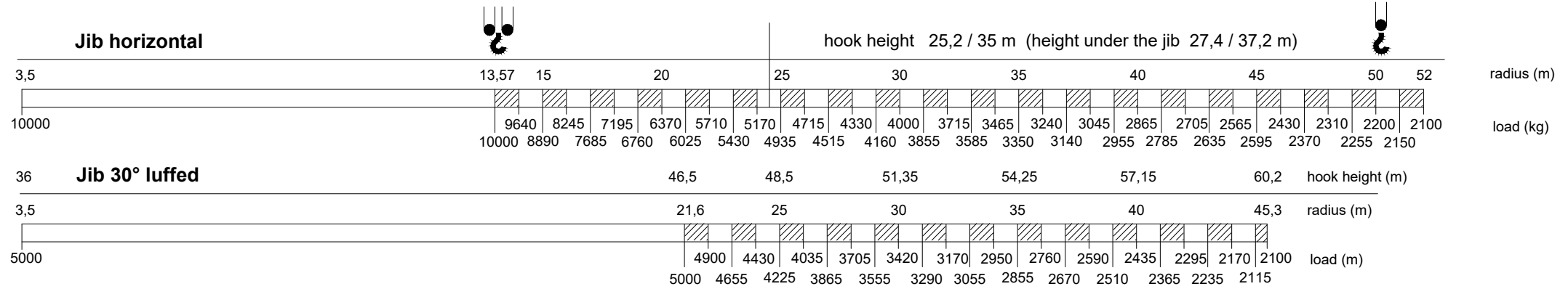
Crane equipped with full counterweight:
 13600 kg
 360° continuous slewing :
 with outriggers out and down
 Operating temperture :
 range from -15° to 40° C.

Rated lifting capacity is net capacity
 Max. line pull force : 2500 kg
 2 parts of line: 5000 kg - 1700 kg
 4 parts of line : 10000 kg - 5000 kg
 Sail area of the load : max. 1,0 m² / tonne
 Max. outrigger loading: 520 kN

Outrigger position : 7,95 x 7,66 m
 Operation allowed up to a wind force of 7
 on the Beaufort scale (wind speed 14m/sec)
Outrigger position : 7,95 x 5,72 m
 Operation allowed up to a wind force of 7
 on the beaufort scale (wind speed 14 m/sec)

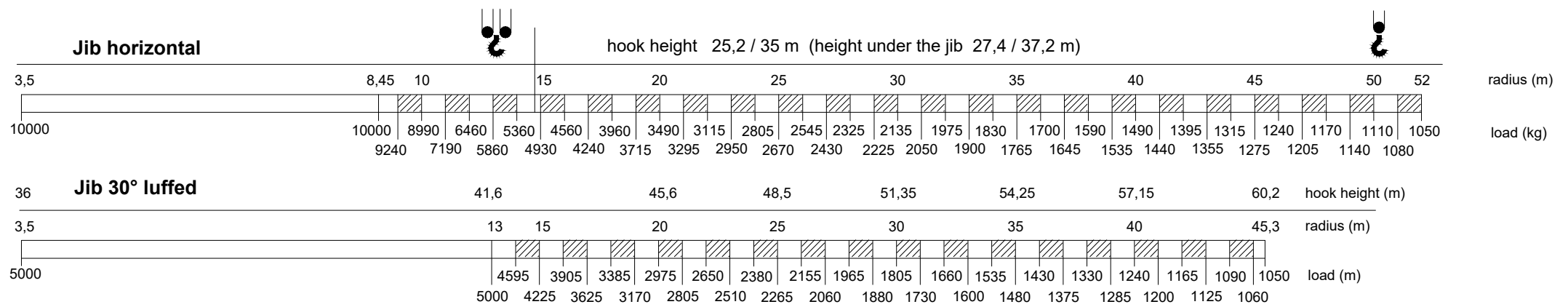
Lifting chart

Outrigger spread : 7,95 m x 7,66 m



Lifting chart

Outrigger spread : 7,95 m x 5,72 m



SPIERINGS

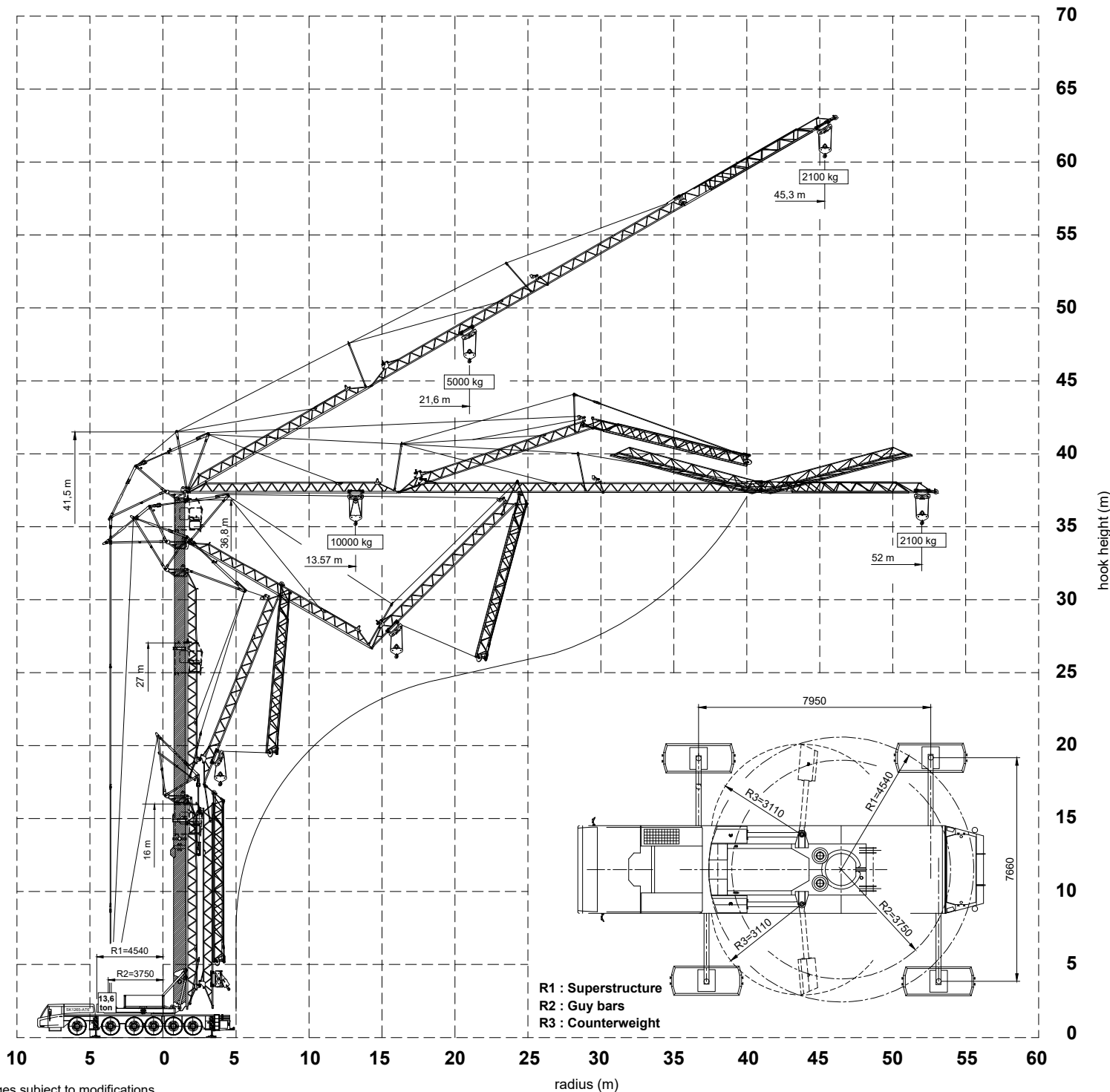
HYDRAULIC FOLDING CRANE

SK1265-AT6

Erection procedure of the crane
Jib radius 52 m

Max. outrigger force : 520 kN
 Outrigger support pads : 750x600 mm
 Ground pressure : 1,15N/mm²
 Jib can be unfolded through 360°
 Luffing the jib 30° can be controlled from
 the crane cab or remote control

Outrigger support plates : 2500x1000 mm
 surface : 2,35 m²
 Ground pressure : 0,22 N/mm²



Merwedestraat 15
 5347 KZ Oss NL
 Tel. +31 (0)412-626964
www.spieringscranes.com

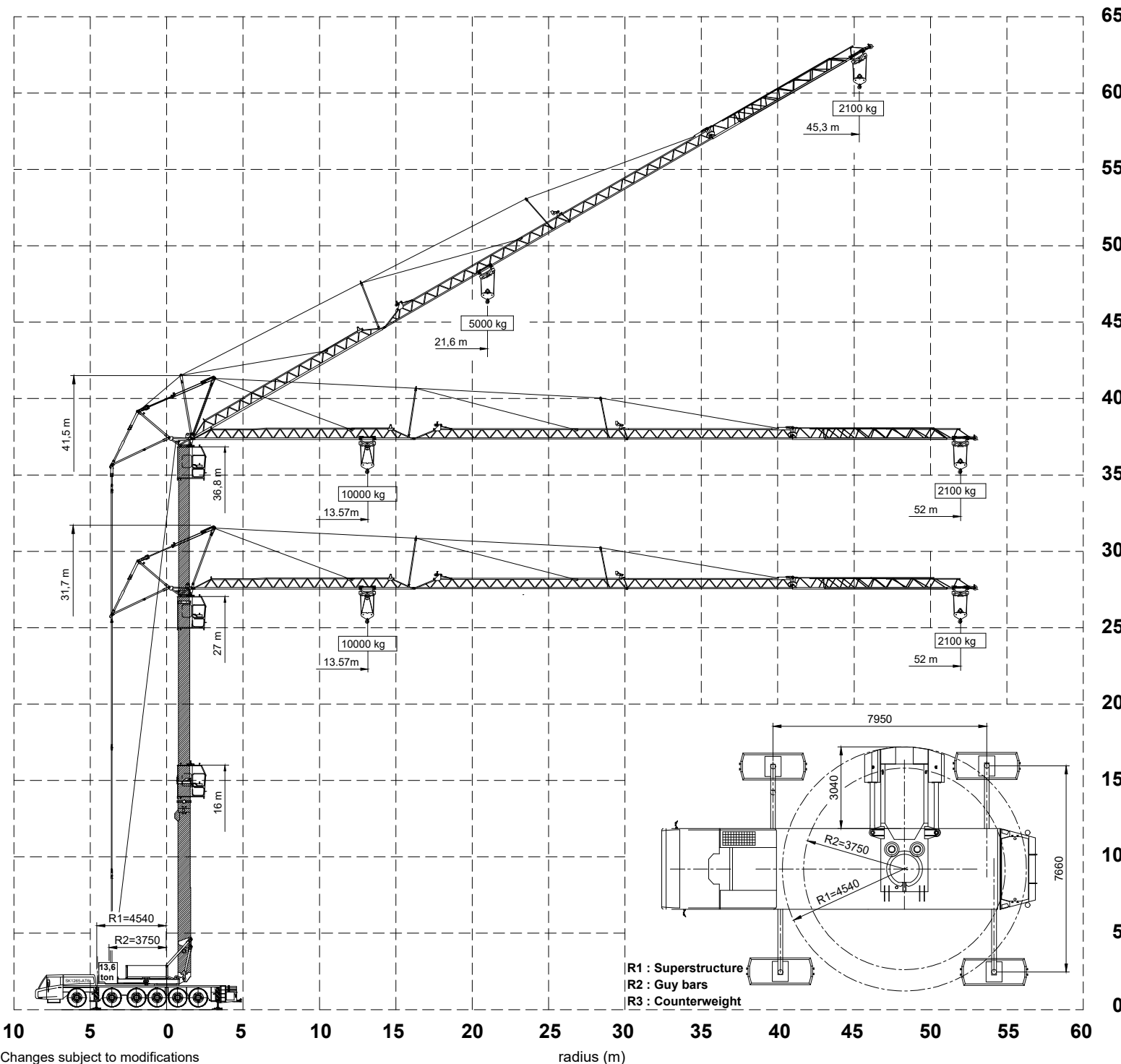
SPIERINGS HYDRAULIC FOLDING CRANE SK1265-AT6

Hoisting Specifications

Jib radius 52 m

Outrigger support base

7,95 m x 7,66 m



hookheight (m)

SPIERINGS
MOBILE CRANES

Merwedestraat 15
5347 KZ Oss NL
Tel. +31 (0)412-626964
Fax +31 (0)412-645299
www.spieringscranes.com

121-00126154

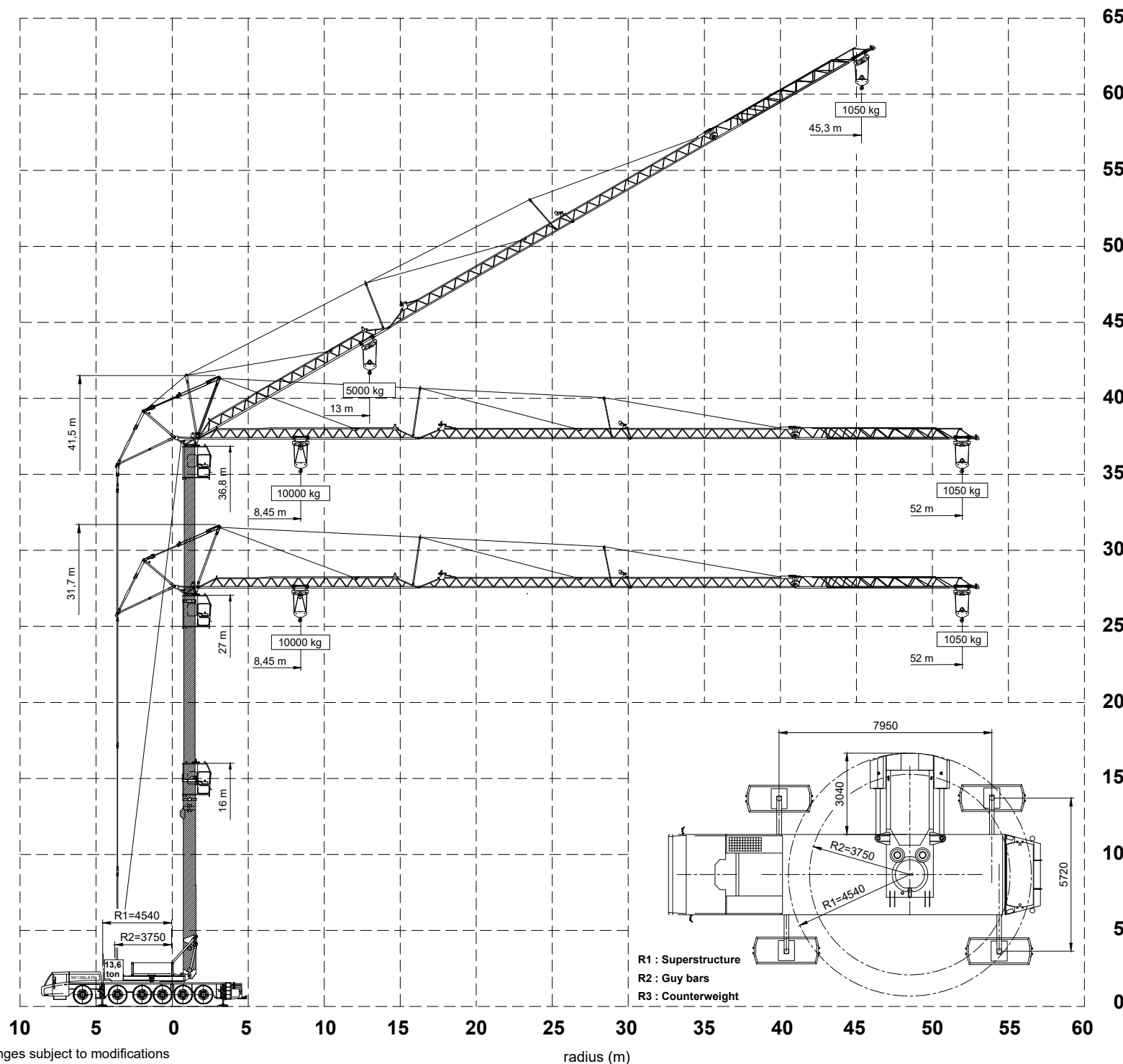
SPIERINGS HYDRAULIC FOLDING CRANE SK1265-AT6

Hoisting Specifications

Jib radius 52 m

Outrigger support base

7,95 m x 5,72 m



SPIERINGS
MOBILE CRANES

Merwedestraat 15
5347 KZ Oss NL
Tel. +31 (0)412-626964
Fax +31 (0)412-645299
www.spieringscranes.com

121-00126155