

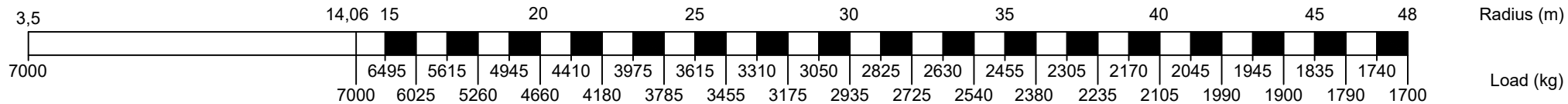


Operation allowed up to wind force 7 Bf (14 m/sec).
The crane should be folded in at wind force 9 Bf (21 m/sec)
or when not in use for a longer period
Counterweight crane: 8704 kg.
Max. outrigger force: 360 kN.

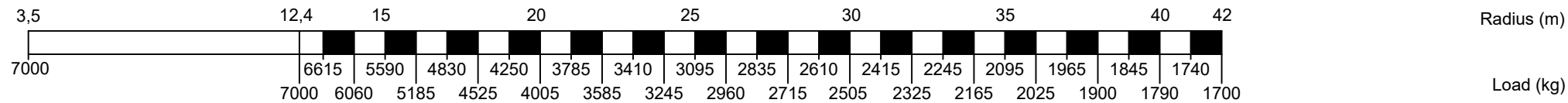
Lifting chart outrigger support base 6,925 m x 7,0 m

Jib horizontal

Height under the jib 26,9 / 29,7 m



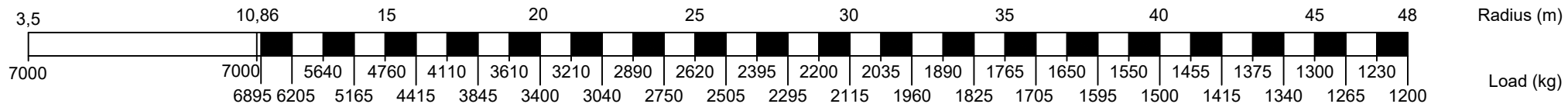
Jib 30° luffed



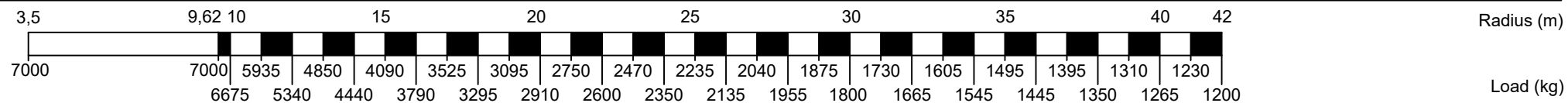
Lifting chart outrigger support base 6,925 m x 5,85 m

Jib horizontal

Height under the jib 26,9 / 29,7 m



Jib 30° luffed



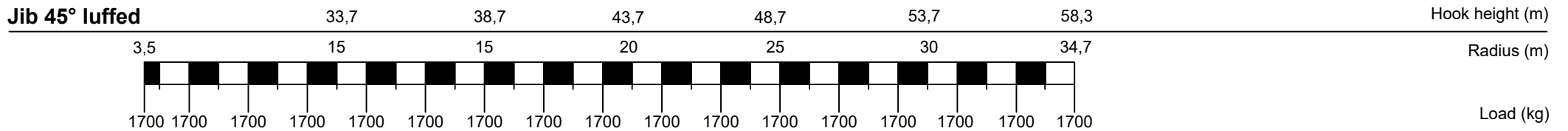
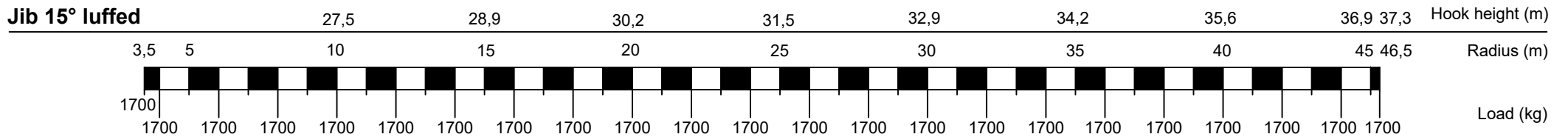


Operation allowed up to wind force 7 Bf (14 m/sec).
The crane should be folded in at wind force 9 Bf (21 m/sec)
or when not in use for a longer period
Counterweight crane: 8704 kg.
Max. outrigger force: 360 kN.

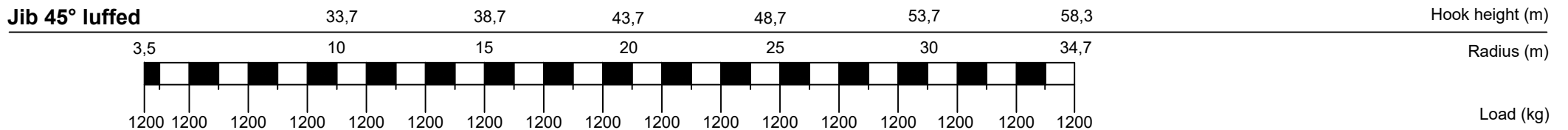
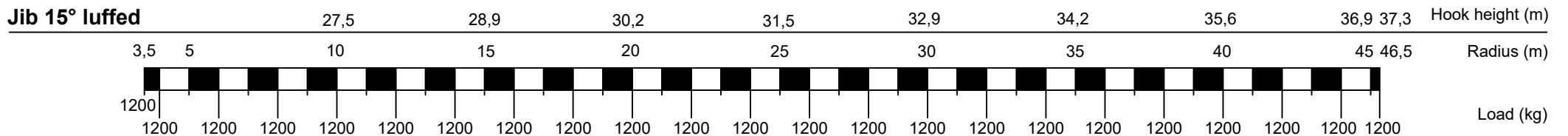
Serial number:

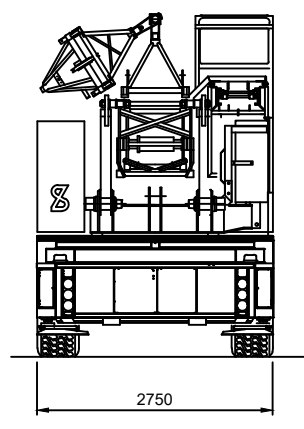
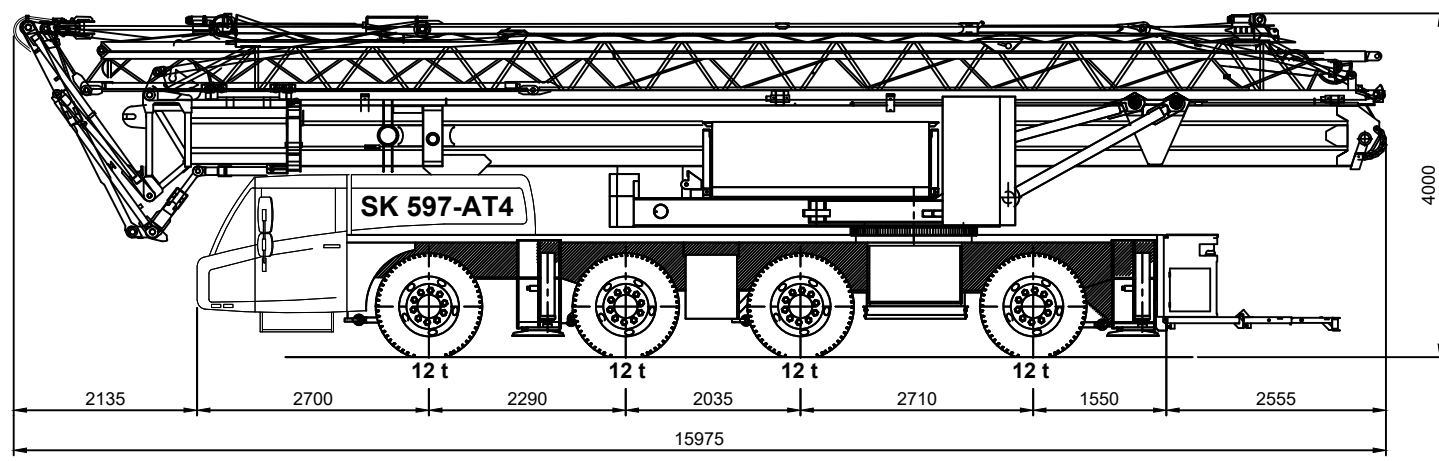
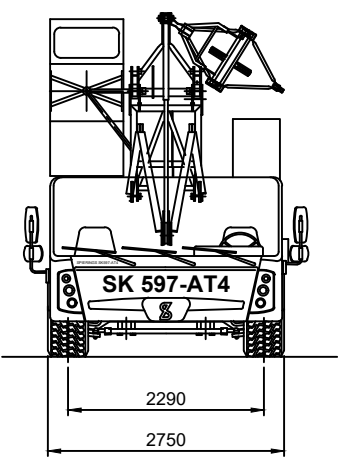
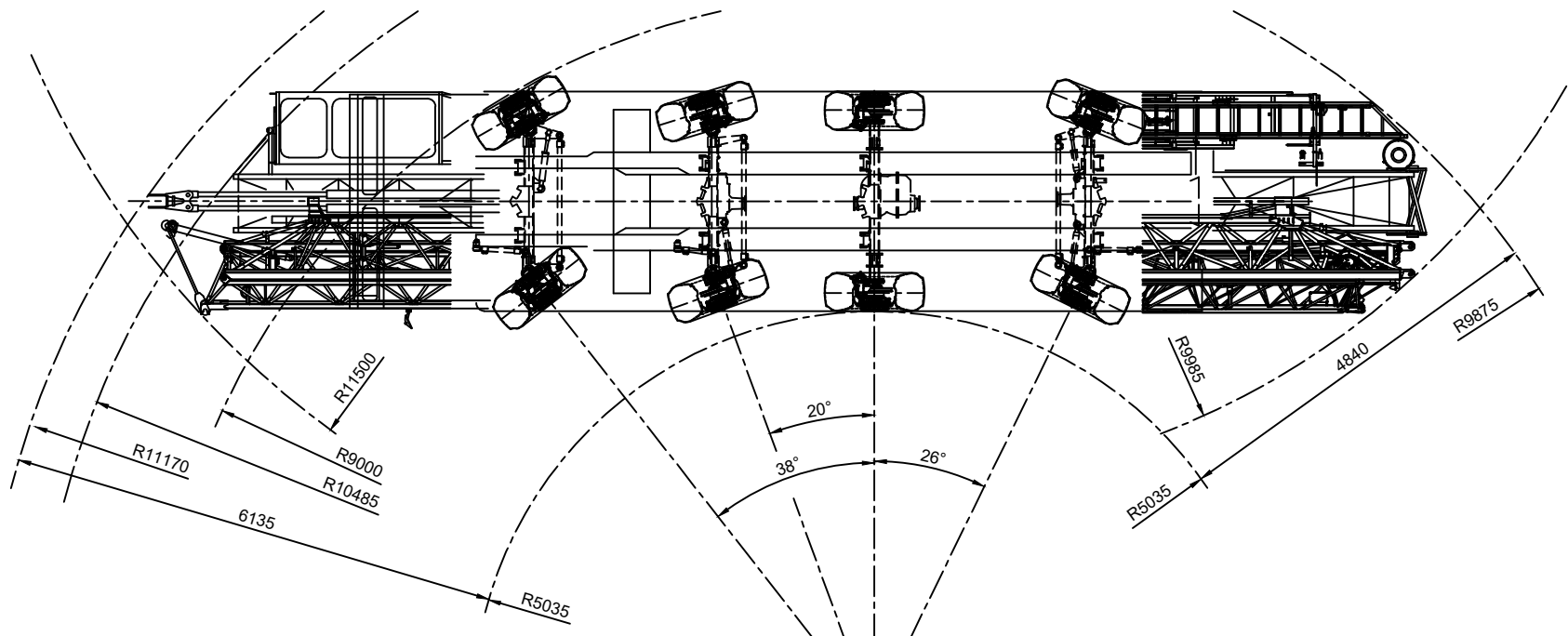
Year of construction:

Lifting chart outrigger support base 6,925 m x 7,0 m



Lifting chart outrigger support base 6,925 m x 5,85 m





SPIERINGS HYDRAULIC FOLDING CRANE

SK597 - AT4



Merwedestraat 15
 5347 KZ Oss NL
 Tel. +31 (0)412-626964
 www.spieringscranes.com
 84-00597102

Overall weight: 48000 kg

Specifications subject to modifications

SPIERINGS

HYDRAULIC FOLDING CRANE

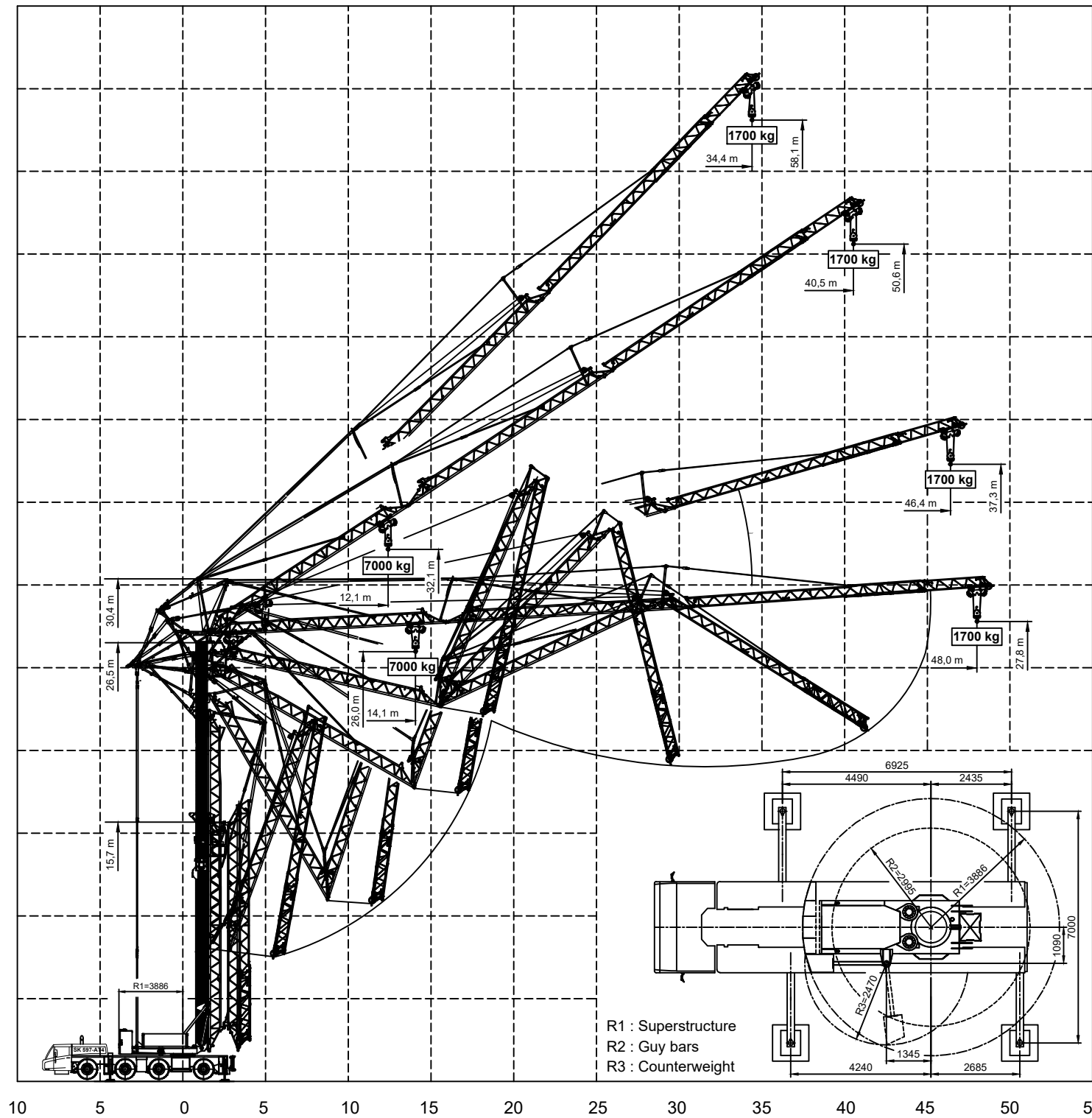
SK 597 - AT4

Erection procedure of the crane

- Max. outrigger force : 360 kN
- Outrigger support pads : 750x600 mm
- Ground pressure : 0,80 N/mm²
- Jib can be unfolded through 360°
- Operating temperature range
from -15°C till +40°C
- Luffing the jib 30° can be controlled from
the crane cabin or remote control
- Outrigger support plates : 1100x1100 mm
- Surface : 1,21 m²
- Ground pressure : 0,30 N/mm²

Hook height (m)

60
55
50
45
40
35
30
25
20
15
10
5
0



R1 : Superstructure
R2 : Guy bars
R3 : Counterweight

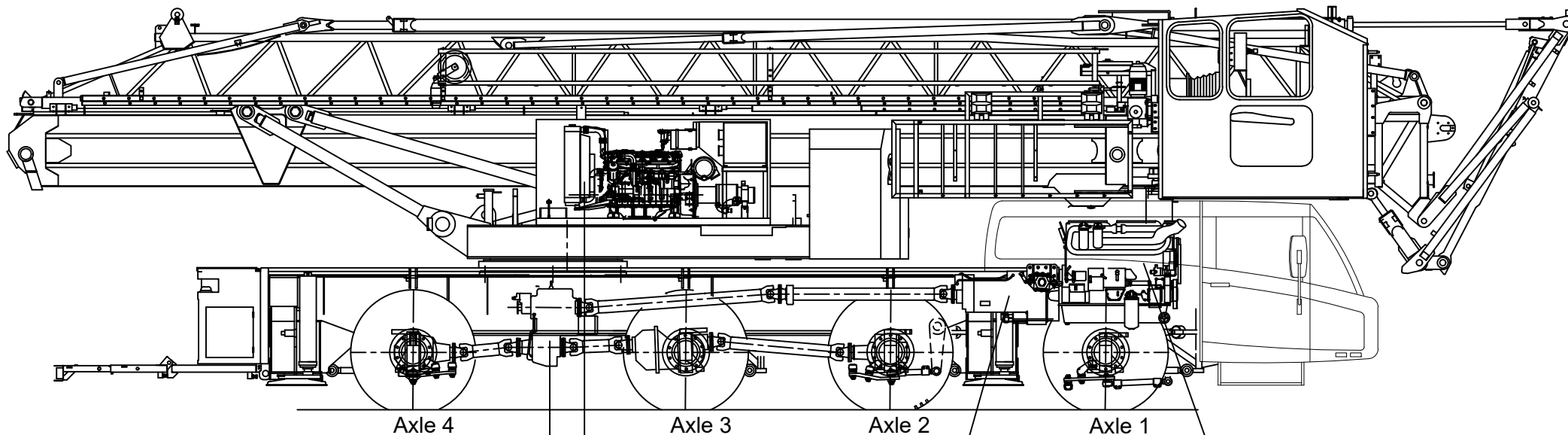
SPIERINGS
MOBILE CRANES

Merwedestraat 15
5347 KZ Oss NL
Tel. +31 (0)412-697777
www.spieringscranes.com

84-00597103

Radius (m)

10 5 0 5 10 15 20 25 30 35 40 45 50 55



Transfer box:	
ZF VG2001/396	
Road gear	i=0,89
Off road gear	i=1,54

Crane diesel engine:	
Caterpillar C3.6 Stage V	
Power: 100 kW (2000 rpm)	
Torque: 550 Nm (1500 rpm)	

Gearbox:	
ZF Traxon 12TX2611 SO	
Automatic + intarder	
Dry plate clutch	

Carrier diesel engine:	
DAF MX11-330 EURO VI (10,8 ltr)	
Power:	330 kW (1600 rpm)
Torque:	2300 Nm (900-1125 rpm)

- Axle 1 : Steer axle
- Axle 2 : Steer drive axle (end reduction i=6,35)
- Axle 3 : Non steered drive axle (end reduction i=6,35)
- Axle 4 : Steer drive axle (end reduction i=6,35)
- Kessler-axles with disc brakes

- Tyres : 445/65 R22,5 or 445/75 R22,5
- Suspension : Hydro-pneumatic on all axles
- Stroke suspension cylinder : 247 mm
- Max. speed carrier : 80 or 83 km/h
- Min. speed carrier (engine at 1000 rpm) : 1,6 km/h
- Overall weight : 48.000 kg

Drive train Spierings Folding Crane SK597-AT4

SPIERINGS
MOBILE CRANES

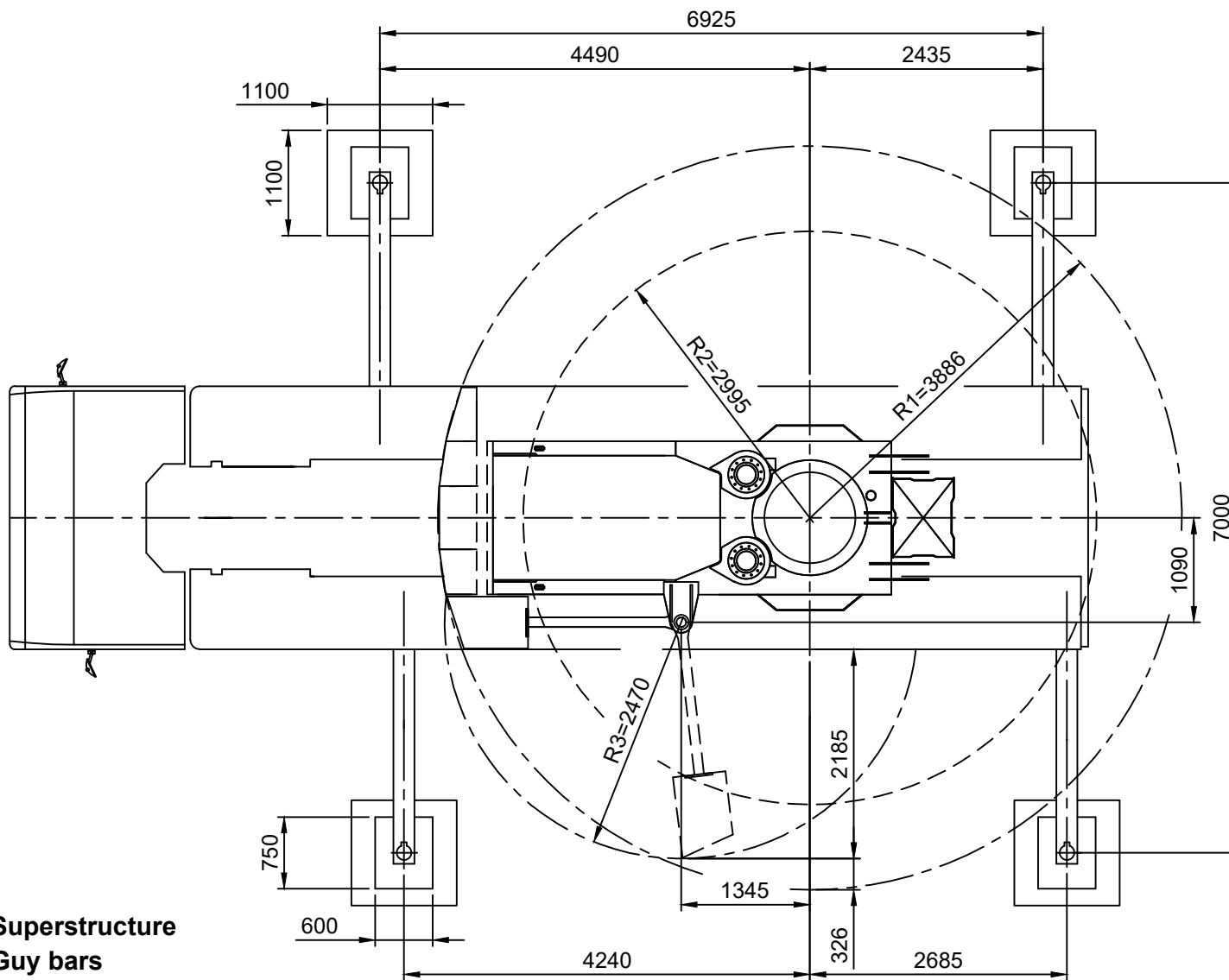
Merwedestraat 15
5347 KZ Oss NL
Tel. +31 (0)412-626964
www.spieringscranes.com

84-00597106

SPIERINGS

HYDRAULIC FOLDING CRANE

SK 597 - AT4



- R1 : Superstructure**
- R2 : Guy bars**
- R3 : Counterweight**

Outrigger support base

Max. outrigger force	360 kN
Outrigger support pads	750x600 mm
Ground pressure	0,80 N/mm ²
Outrigger support plates	1100x1100 mm
Surface	1,21 m ²
Ground pressure	0,30 N/mm ²

SPIERINGS
MOBILE CRANES

Merwedestraat 15

5347 KZ Oss NL

Tel. +31 (0)412-697777

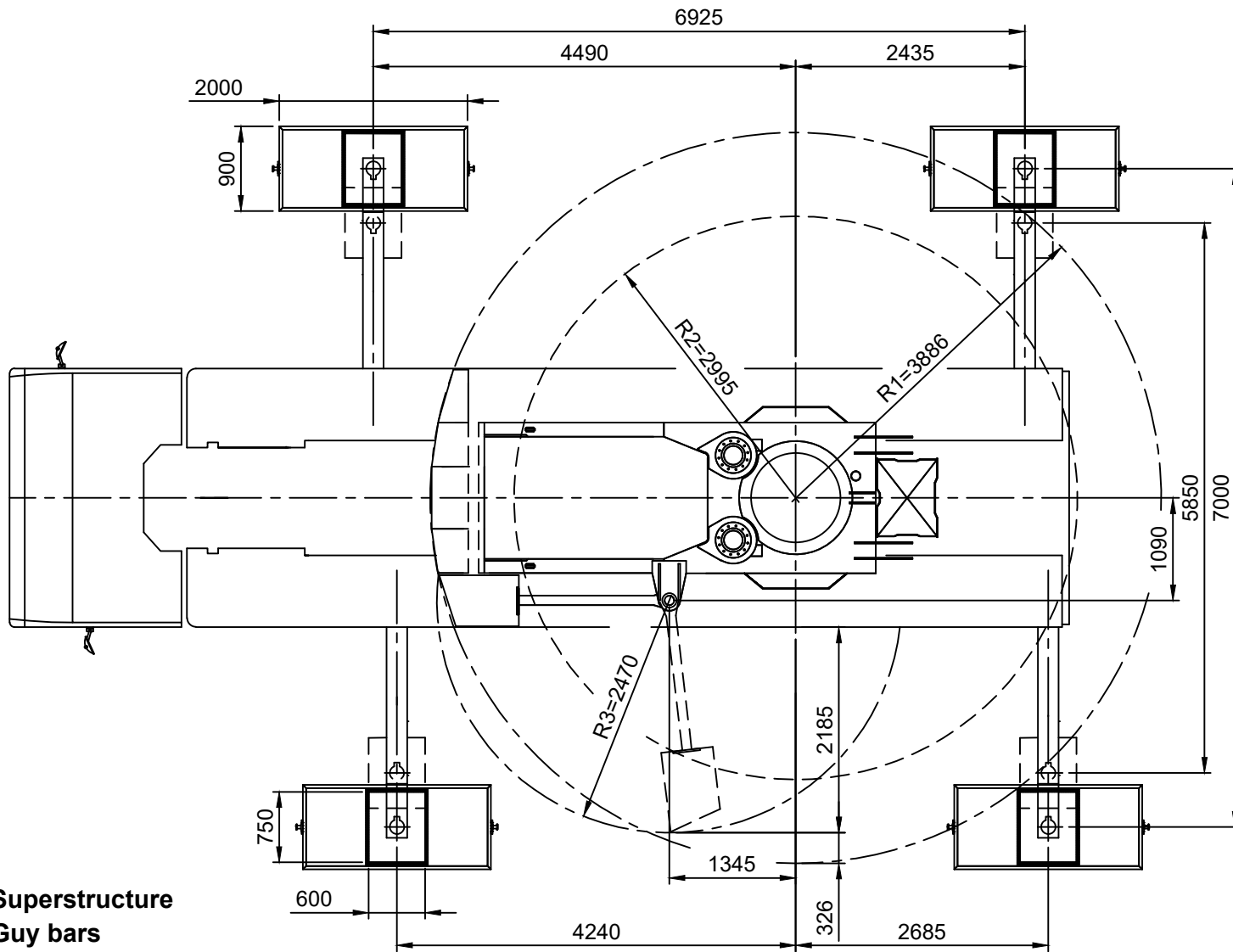
www.spieringscranes.com

84-00597107-1

SPIERINGS

HYDRAULIC FOLDING CRANE

SK 597 - AT4



- R1 : Superstructure**
- R2 : Guy bars**
- R3 : Counterweight**

Outrigger support base

Max. outrigger force	360 kN
Outrigger support pads	750x600 mm
Ground pressure	0,80 N/mm ²
Outrigger support plates	2000x900 mm
Surface	1,8 m ²
Ground pressure	0,20 N/mm ²

SPIERINGS
MOBILE CRANES

Merwedestraat 15

5347 KZ Oss NL

Tel. +31 (0)412-697777

www.spieringscranes.com

84-00597107-2

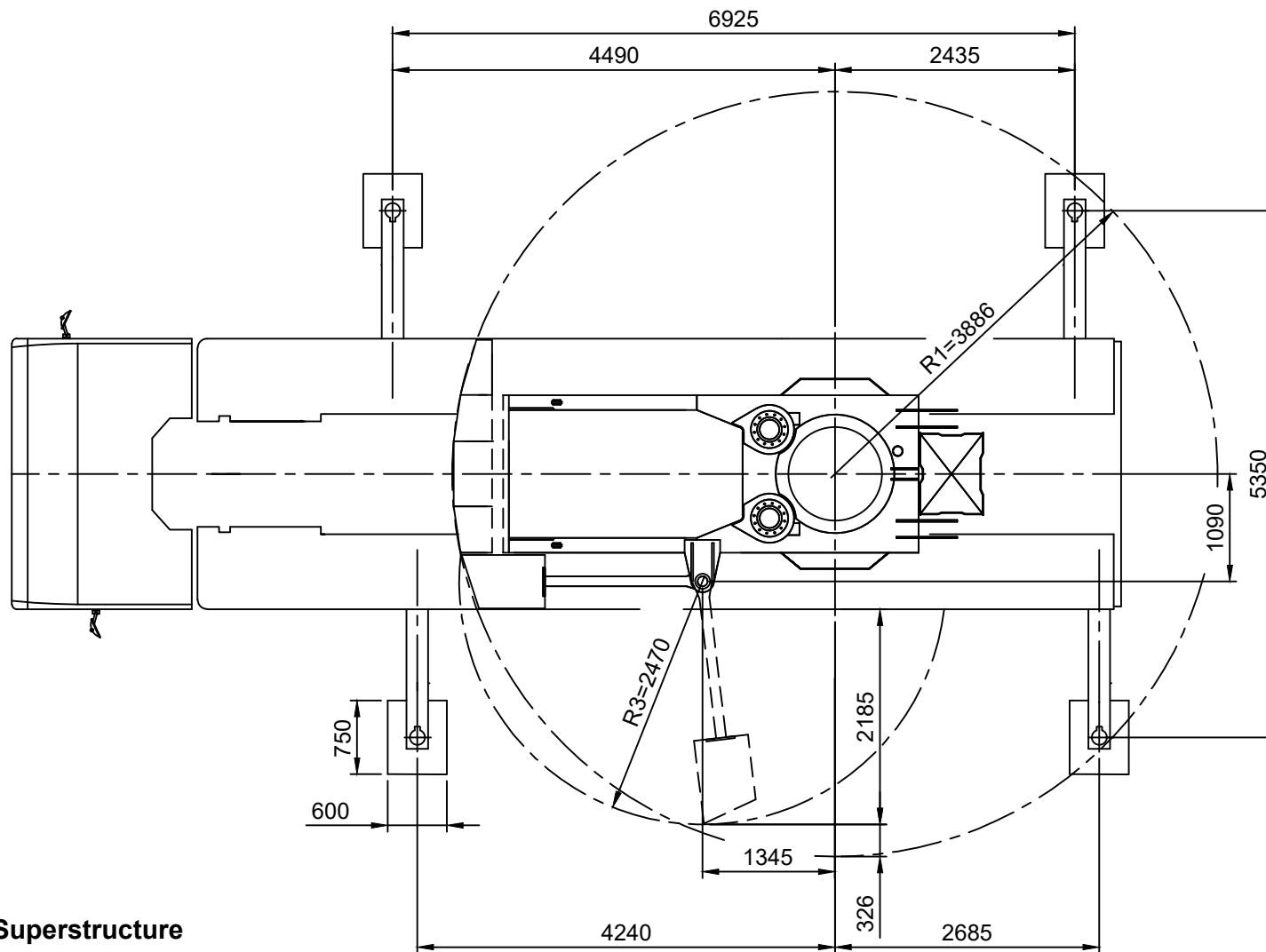
SPIERINGS

HYDRAULIC FOLDING CRANE

SK 597 - AT4

Outrigger support base

Outrigger width 5350 only to be used if crane is not fully erected.



R1 : Superstructure
R3 : Counterweight

SPIERINGS
MOBILE CRANES

Merwedestraat 15
5347 KZ Oss NL
Tel. +31 (0)412-697777
www.spieringscranes.com

84-00597107-3